

hope

HOPETECH.COM // f @ t v



HB.160 



FRAMESET ASSEMBLY

ASSEMBLY HB160-FSA-L

Rocker
HB101-42

12x21x3 Spacer (x2)
HB101-49

12x24x6 Bearing (x2)
61901

Rocker axle female
HB101-109

17x24x3 Spacer (x2)
HB101-13

Chainstay/Seatstay bolt
HB101-106

BB Bearing shield (x2)
HB101-22

BB Bearing (x2)
30x42x7

Horst link bolt (x2)
HB101-18

NDS BB Insert
HB101-20

Rear wheel spindle
HB101-88

17x24x3 Spacer (x4)
HB101-13

17x20x2 Spacer (x2)
HB101-19

17x26x5 Bearing (x4)

Mech hanger
HB101-24

Rear spindle nut
HB101-25

Chainstay/Seatstay bolt
HB101-106

17x28x7 Bearing (x2)

**17x24x3
Spacer (x2)**
HB101-13

**Seatstay
subassembly**
HB160-SSTA

Front Triangle assembly
HB160-FTA

Rocker axle male
HB101-108

Circlip (x2)
XVHM-28

Seatstay axle
HB101-110

Shock eye M8 bolt (x2)
HB101-46

17x28x7 Bearing (x2)

Chainstay axle
HB101-53

Slick chainguide
HCG009

DS BB Insert
HB101-21

Chainstay subassembly
HB160-CSA

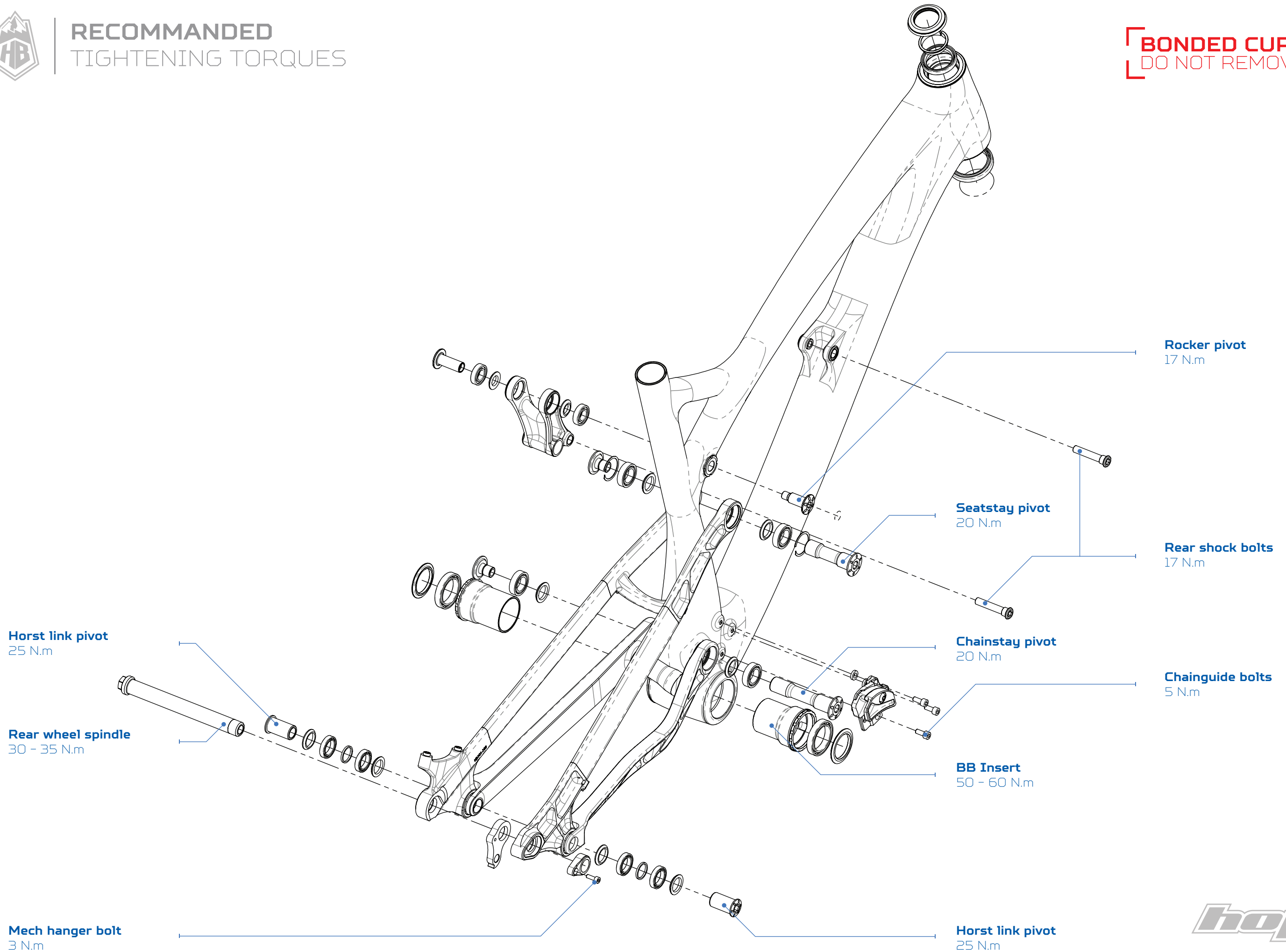
M4x12





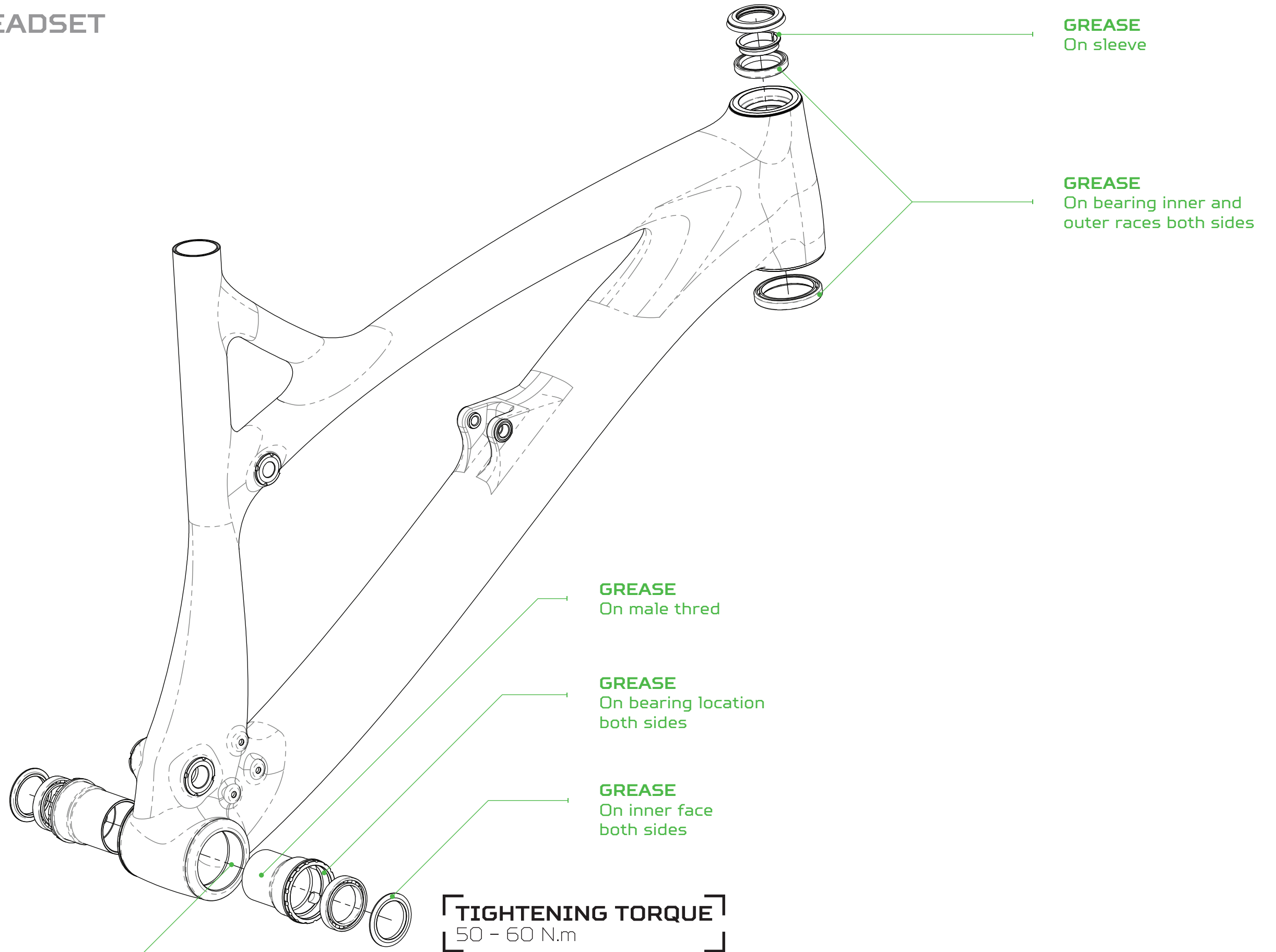
RECOMMENDED
TIGHTENING TORQUES

BONDED CUPS
DO NOT REMOVE





BB AND HEADSET ASSEMBLY

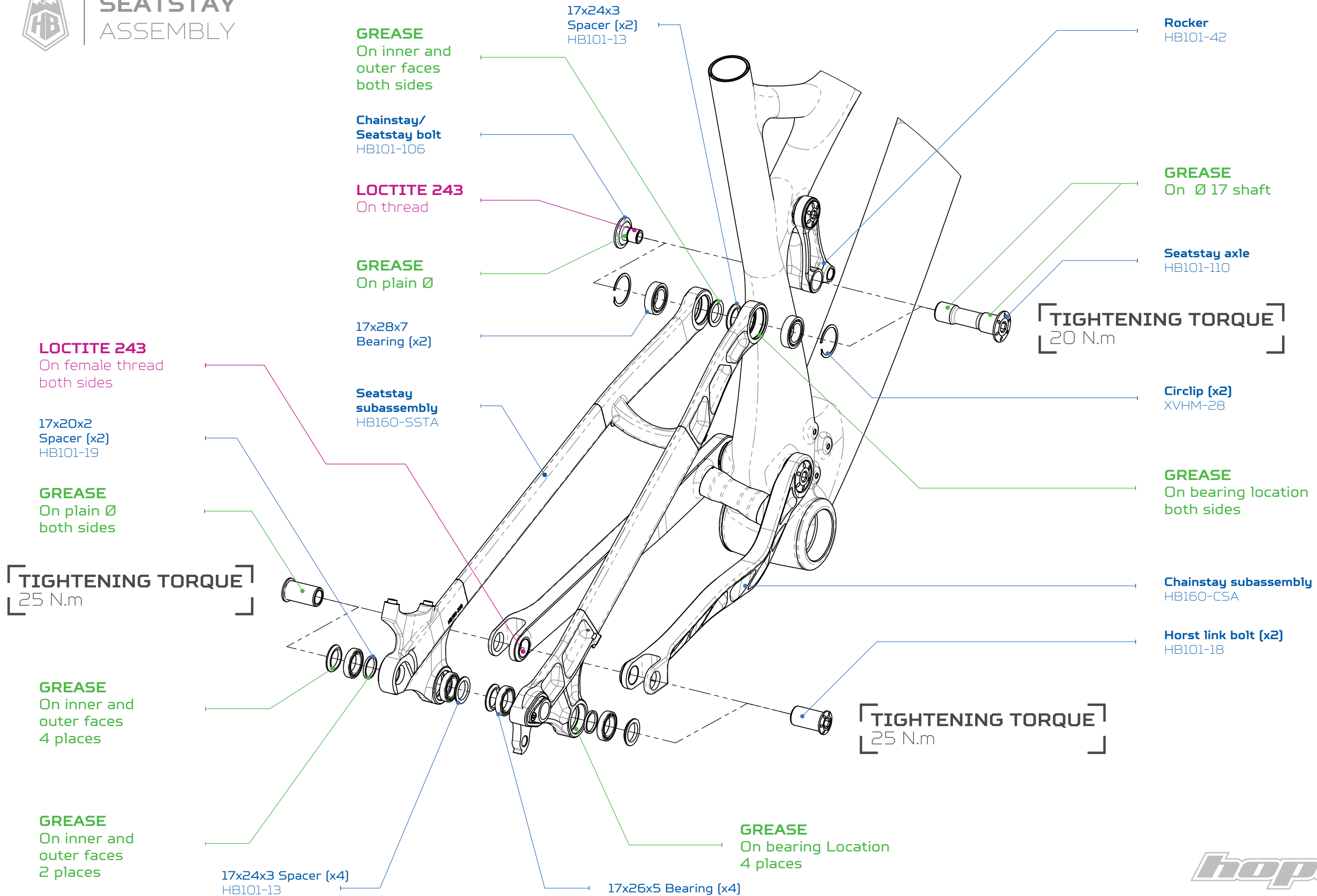


GREASE
On insert location
both sides





SEATSTAY ASSEMBLY





CHAINSTAY ASSEMBLY

Chainstay/
Seatstay bolt
HB101-106

LOCTITE 243
On thread

GREASE
On plain \varnothing

GREASE
On bearing
Location both
sides

17x24x3 spacer (x2)
HB101-13

GREASE
On inner and outer
faces both sides

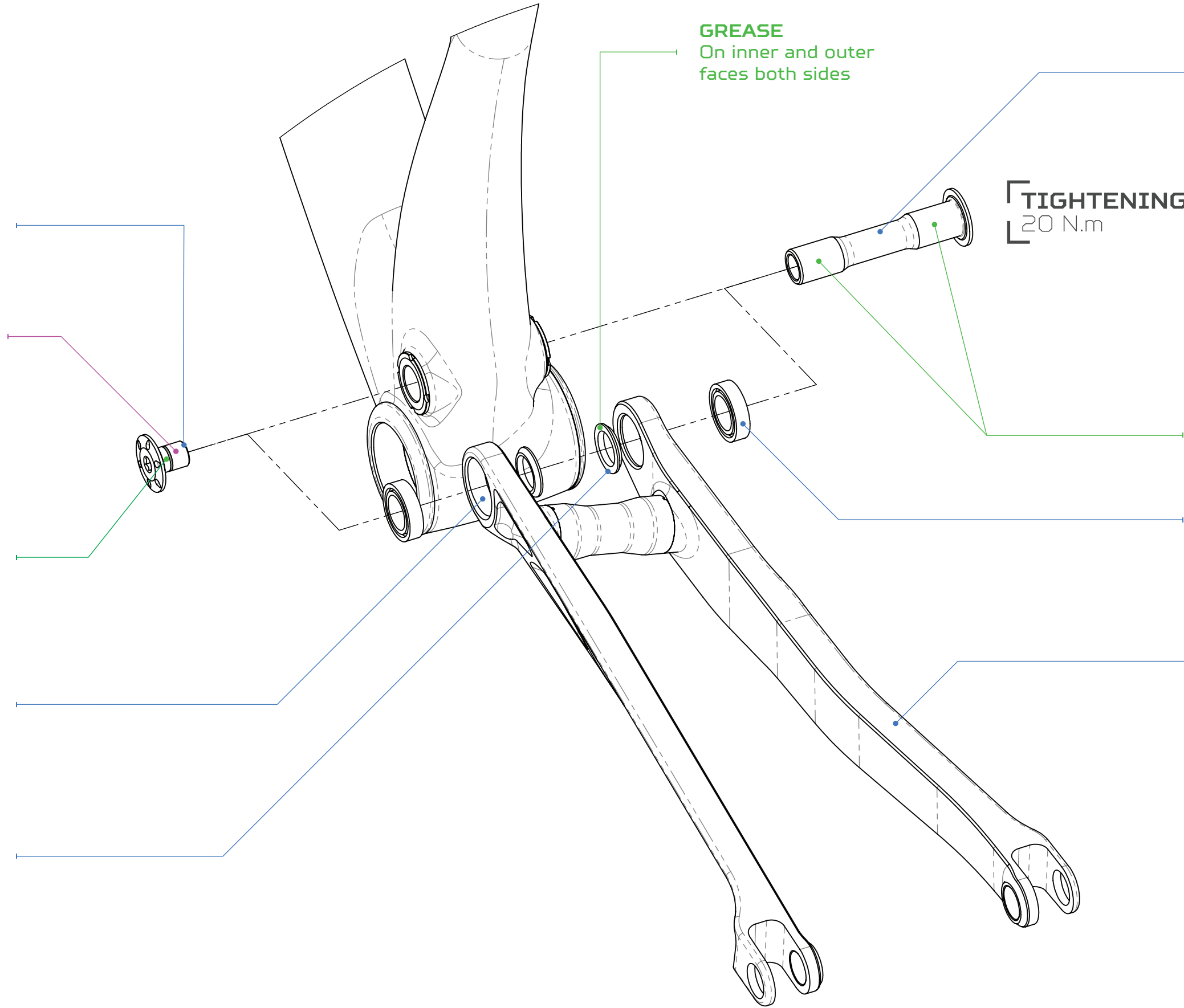
TIGHTENING TORQUE
20 N.m

Chainstay axle
HB101-53

GREASE
On $\varnothing 17$ shaft

17x28x7 bearings (x2)

Chainstay subassembly
HB160-CSA





CHAINGUIDE. REAR BRAKE. REAR SHOCK ASSEMBLY

M6x30 (x2)
Cap screw (Ø 160 rotor)

M6x35 (x2)
Cap screw (Ø 180 rotor)

GREASE
End of thread

TIGHTENING TORQUE
9 N.m

TIGHTENING TORQUE
17 N.m

Shock eye M8 bolt (x2)
HB101-46

GREASE
To thread and shaft

TIGHTENING TORQUE
17 N.m

**Radial Mount
10mm spacers (x2)**
HBSP375 for
Ø 180 rotor only

Chainguide plate
HB101-84

M5x12 (x2)
Cap screw

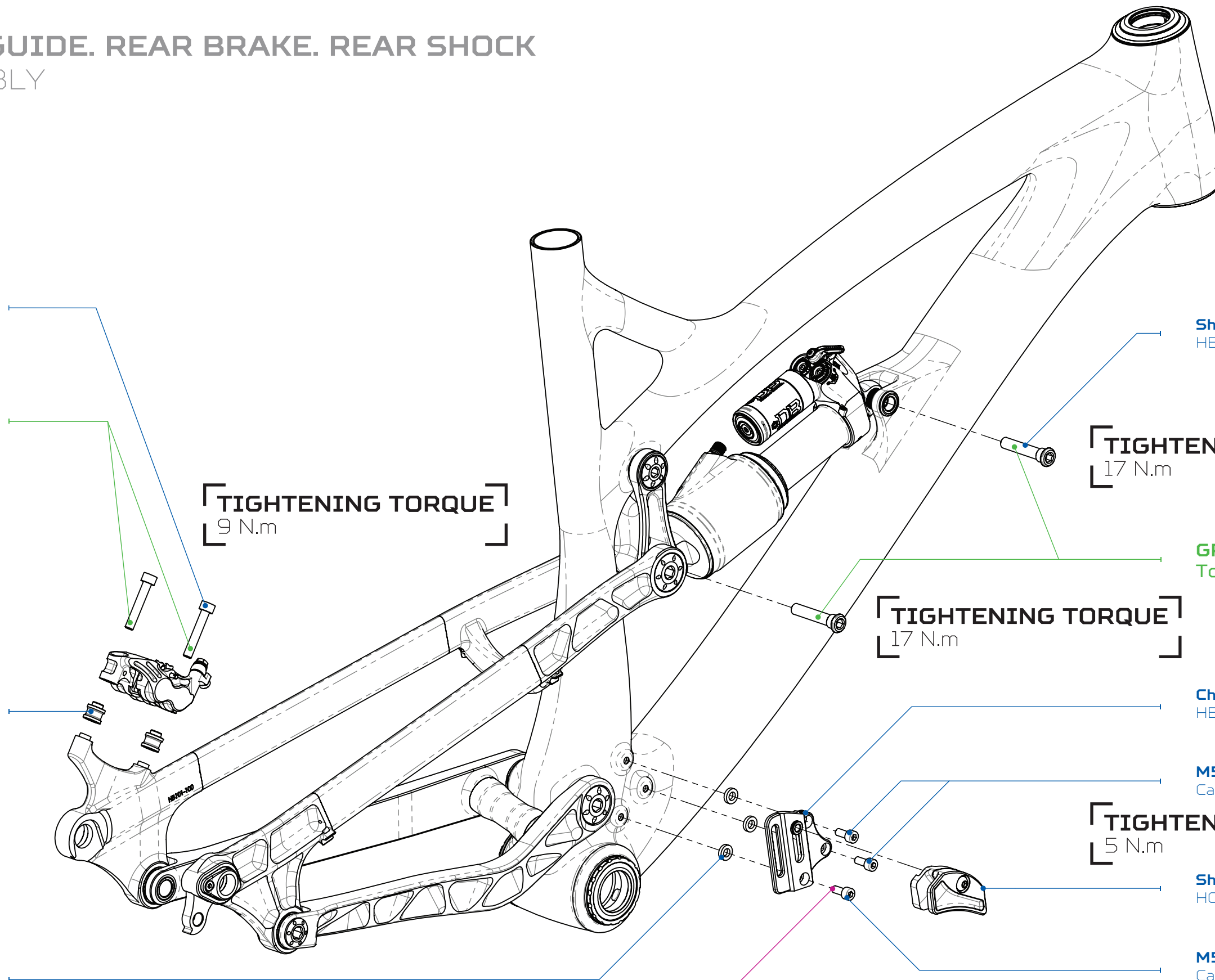
TIGHTENING TORQUE
5 N.m

Shock eye M8 bolt (x2)
HCG009

2.5mm spacers (x3)
DTSP102-36

M5x14
Cap screw

LOCTITE 243
On thread 3 places





ROCKER ASSEMBLY

Rocker axle female
HB101-109

TIGHTENING TORQUE
17 N.m

GREASE
On shaft

LOCTITE 243
On thread

12x24x6 bearings (x2)
61901

GREASE
On inner and outer
faces both sides

Rocker axle male
HB101-108

GREASE
On shaft

12x21x3 Spacer (x2)
HB101-49

GREASE
On bearing
Location both
sides

Rocker
HB101-42





REAR CALIPER ASSEMBLY

Connector bolt
HBSP47

M6 Sealing washer x2
HBSP26

Bleed nipple O'ring
HBSP239

Bleed nipple
HBSP238

Rubber cap
HBSP240

Pad pin
HBSP204

E4 Bore cap O'ring x2
HBSP140

E4 Bore cap x2
HBSP302

90° Connector
HBSP162

Pad spring
HBSP142

Pad pin R clip
HBSP171

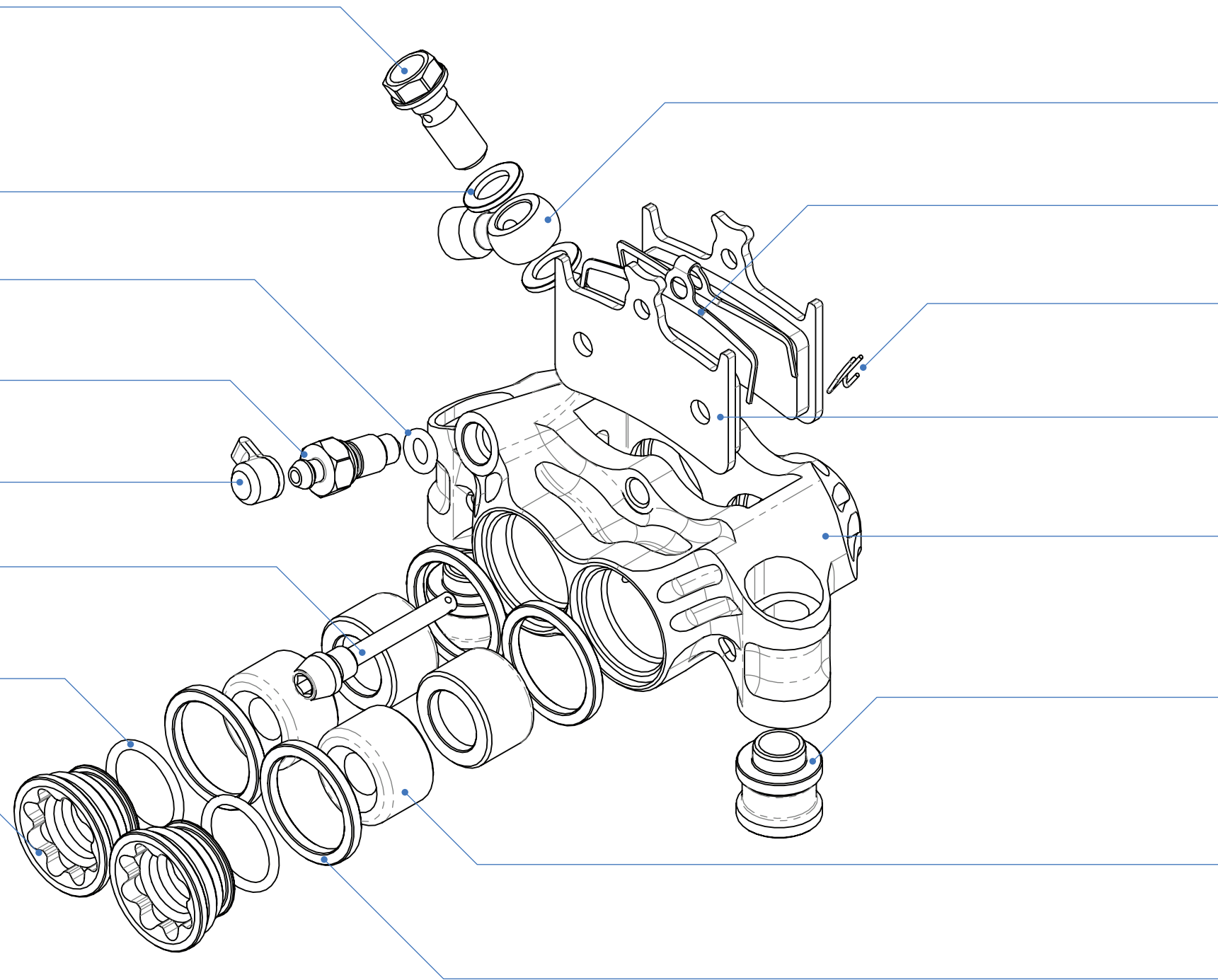
E4 Brake pad
HBSP323

**E4 Caliper body
Radial Mount**
HBSP374

**Radial Mount
10mm spacer**
HBSP375

E4 Piston x4
HBSP136

E4 Piston seal x4
HBSP68





REAR HUB ASSEMBLY

**Pro 4 HB160 Rear
Hub NDS Spacer**
HUB1013-03

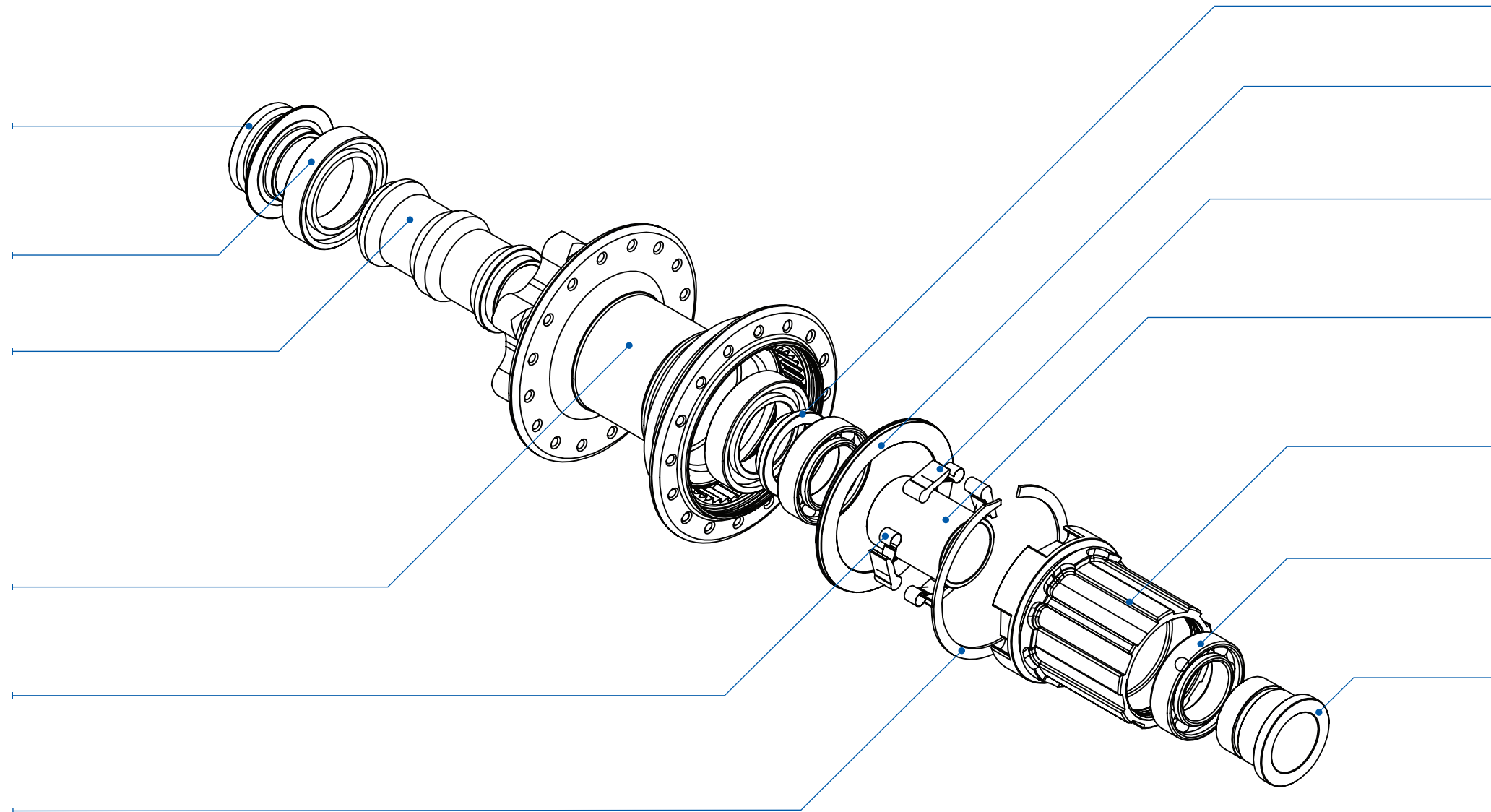
20x32X7 Bearing x 2
S6804

**Pro 4 HB160 Rear
Hub Centre Tube**
HUB1009-86

**HB160 Pro 4 Rear
Hub Body**
HUB1009-19

Pawl Spring x 4
HUB515

Circlip
XVHM-48



**Pro 4 HB160 Rear Hub
Inner Bearing Spacer**
HUB1009-87

Pro 4 Drive Side Seal
HUB1009-5

Pro 4 Pawl
HUB1009-26

Pro 4 Hope Freehub Spacer
HUB1009-51

Pro 4 Freehub Hope Aluminium
RC002-02

17x28x7 Bearing x 2
S17287

**Pro 4 HB160 Rear Hub
DS Spacer**
HUB1013-02

