



HB.130



HB.130

EXPLODED VIEW

17x24x3 Spacer x2
HB101-13

17x28x7 Bearing x2

Circlip x2
XVHM-28

Chainstay/Seatstay Bolt
HB101-106

Chainstay Seatstay Bolt
HB101-106

NDS BB Cup
HB101-117

Seatstay Assembly
HB102-5STA

Brake Hose Guide x2
HB102-46

Rear Wheel Spindle
HB101-88

Horst Link Bolt x2
HB102-18

12x21x3 Spacer x4
HB101-49

12x24x6 Bearing x4
61901

12x15x2 Spacer x2
HB102-19

Mech Hanger
HB101-24

Rear Spindle Nut
HB101-25

M4x12

Seatstay Protector
HB102-45

Seatstay Axle
HB101-110

Rocker Axle Female
HB101-109

12x24x6 Bearing x2
61901

12x21x3 Spacer x2
HB101-49

Rear Shock Screw x2
HB102-4

Twin Cable Entry
HB102-42

Top Headset
HSC7

Bottom Headset
HSCJ

Single Cable Entry
HB102-43

Shim x2
HB102-41

Rear Shock Axle x2
HB102-3

Rocker
HB102-28

Rocker Axle Male
HB101-108

Rocker Flip Chip x2
HB102-30

DT Rubber Protection
HB102-44

Chainguide Assembly
HB102-CG

BB Bearing Shield x2
HB101-22 (30 BB)
BB016-03 (Sram DUB)

BB 2mm spacer
BB016-05
(Sram DUB only)

BB Bearing x2
30x42x7

DS BB Cup
HB101-116

Centre Tube
HB101-118
Ø37x1.5 o'rings

Chainstay
Assembly
HB102-CSA

Chainstay Protector
HB102-31

Chainstay Nut
HB102-33

Chainstay Axle
HB101-53

17x28x7 Bearing x2

17x24x3 Spacer x2
HB101-13

Chainstay Plate
HB102-32





HB.130

TIGHTENING TORQUES

Rocker Pivot
17 N.m

Seatstay Pivot
20 N.m

Horst Link Pivot
17 N.m

Rear Wheel Spindle
30-35 N.m

Mech Hanger Bolt
3 N.m

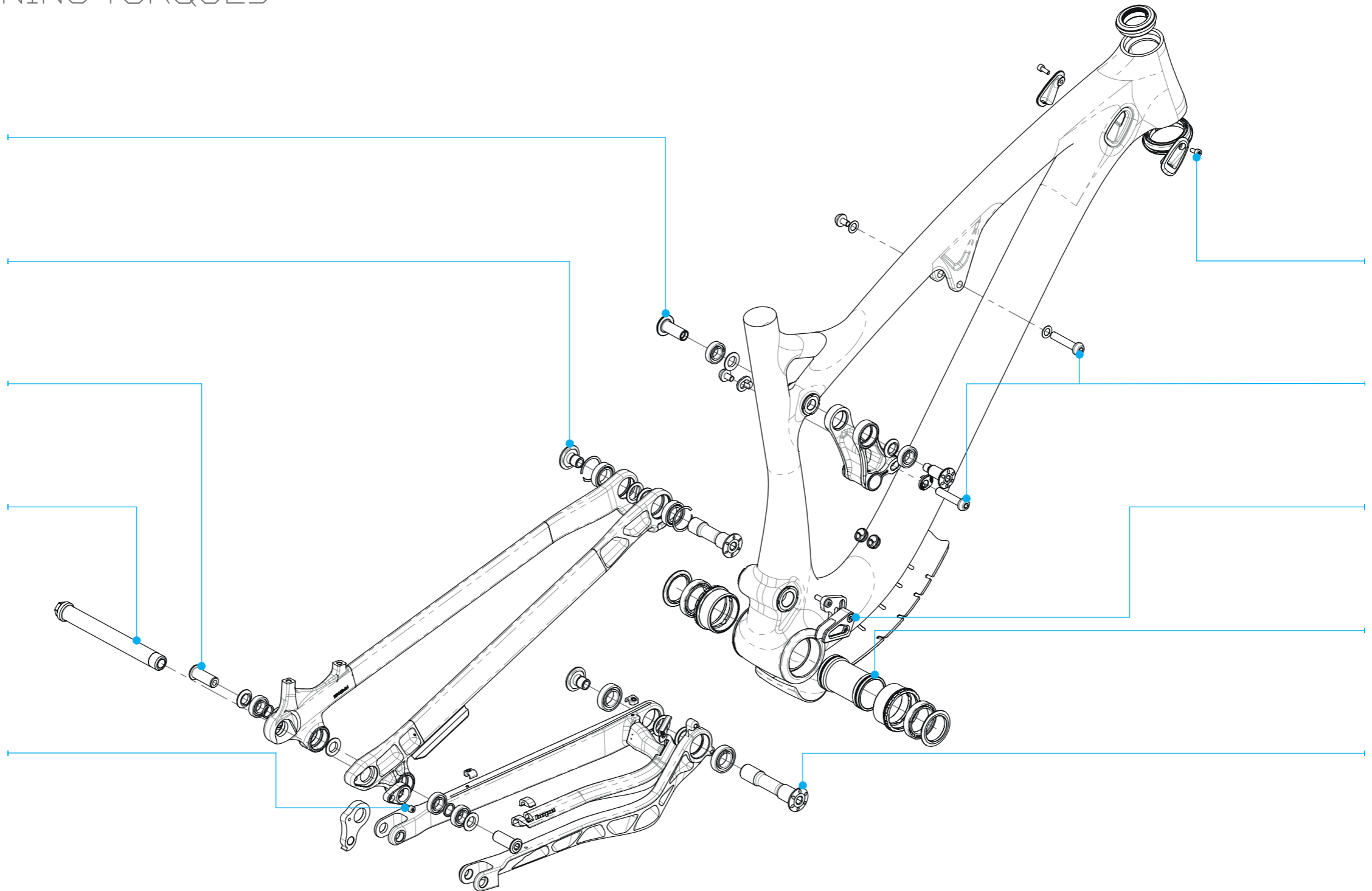
Cable/Hose Guide Screw
3 N.m

Rear Shock Bolts
9 N.m

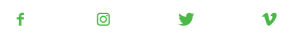
Chainguide Bolts
5 N.m

BB Cups
45-55 N.m

Chainstay Pivot
20 N.m



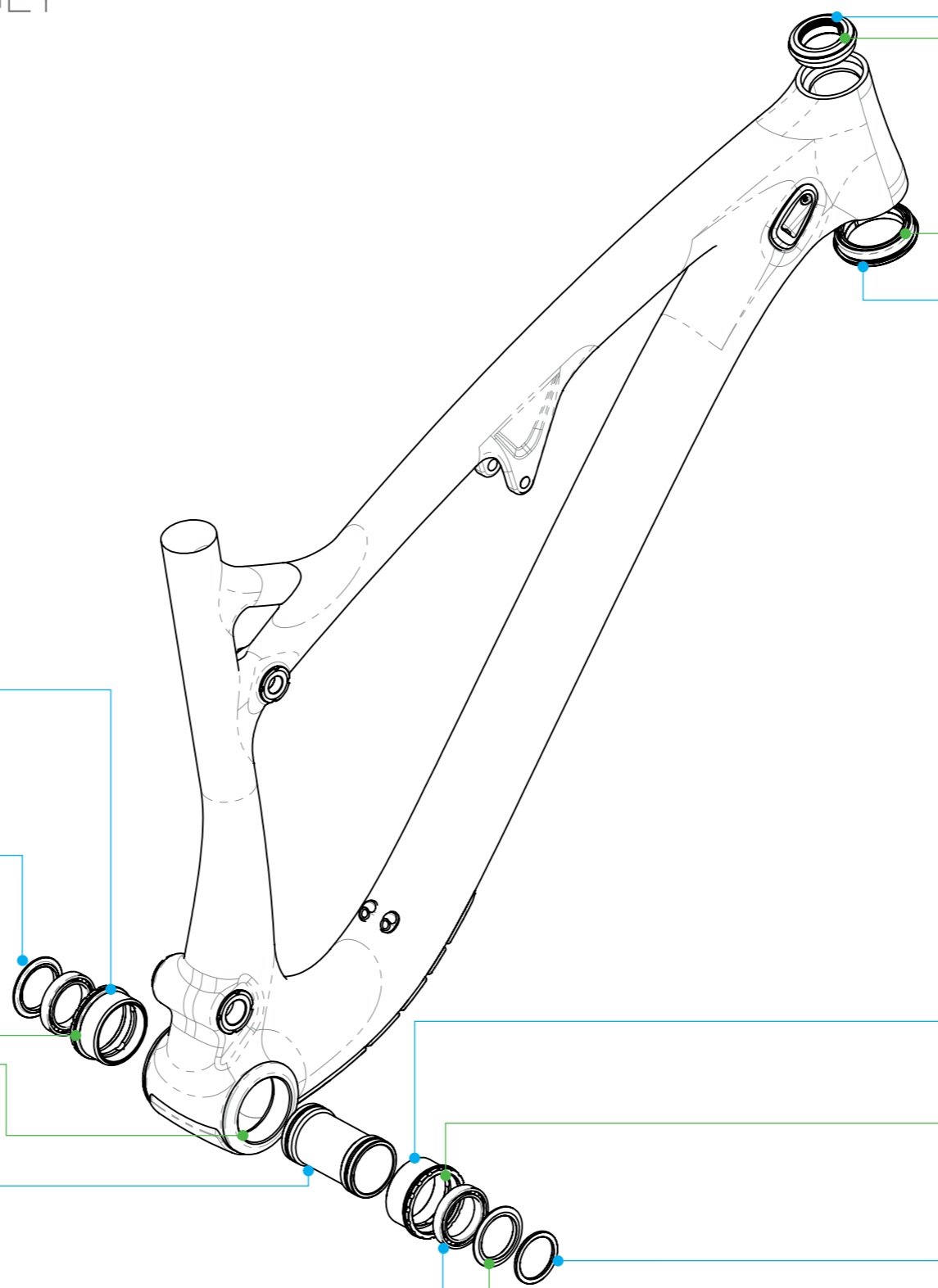
TIGHTENING TORQUES
BOTTLE CAGE M5 5N.m
HOSE CLIP, CHAINSTAY PROTECTOR M3 1 N.m





HB.130

BB AND HEADSET ASSEMBLY



Top Headset
HSC7

GREASE
On bearing inner
and outer races
both sides

Bottom Headset
HSCJ

NDS BB Cup
HB101-117

BB Bearing Shield x2
HB101-22 (30 BB)
BB016-03 (Sram DUB)

GREASE
On thread both sides

GREASE
On thread both sides

Centre Tube
HB101-118
Ø37x1.5 o'rings

BB Bearing x2
30x42x7

DS BB Cup
HB101-116

GREASE
On bearing location
both sides

BB 2mm spacer
BB016-05
(Sram DUB only)

GREASE
On inner face
both sides

TIGHTENING TORQUE
45-55 N.m





HB.130

ROCKER ASSEMBLY

GREASE

On inner and outer faces both sides

12x24x6 Bearing x2
61901

LOCTITE 243
On thread

Rocker Axle Male
HB101-108

TIGHTENING TORQUE
17 N.m

GREASE
On Shaft

GREASE
On bearing location both sides

Rear Shock Axle x2
HB102-3

GREASE
On both axle

Rocker Flip Chip x2
HB102-30
(Laser Etching on DS)

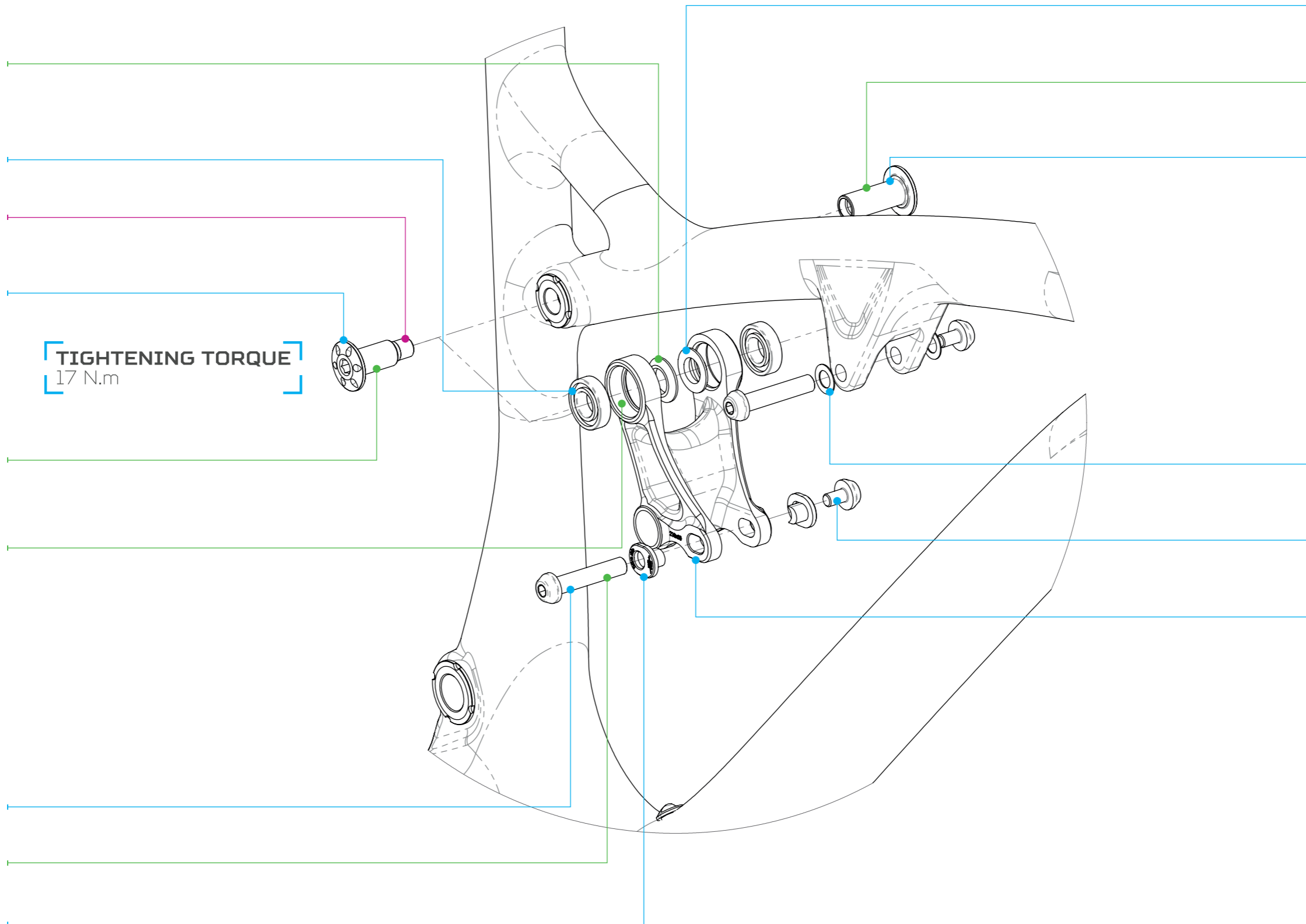
12x21x3 Spacer x2
HB101-49

Rocker Axle Female
HB101-109

Shim x2
HB102-41

Rear Shock Screw x2
HB102-4

Rocker
HB102-28





HB.130

CHAINSTAY ASSEMBLY

LOCTITE 243
On thread

Chainstay Seatstay Bolt
HB101-106

GREASE
On plain \emptyset

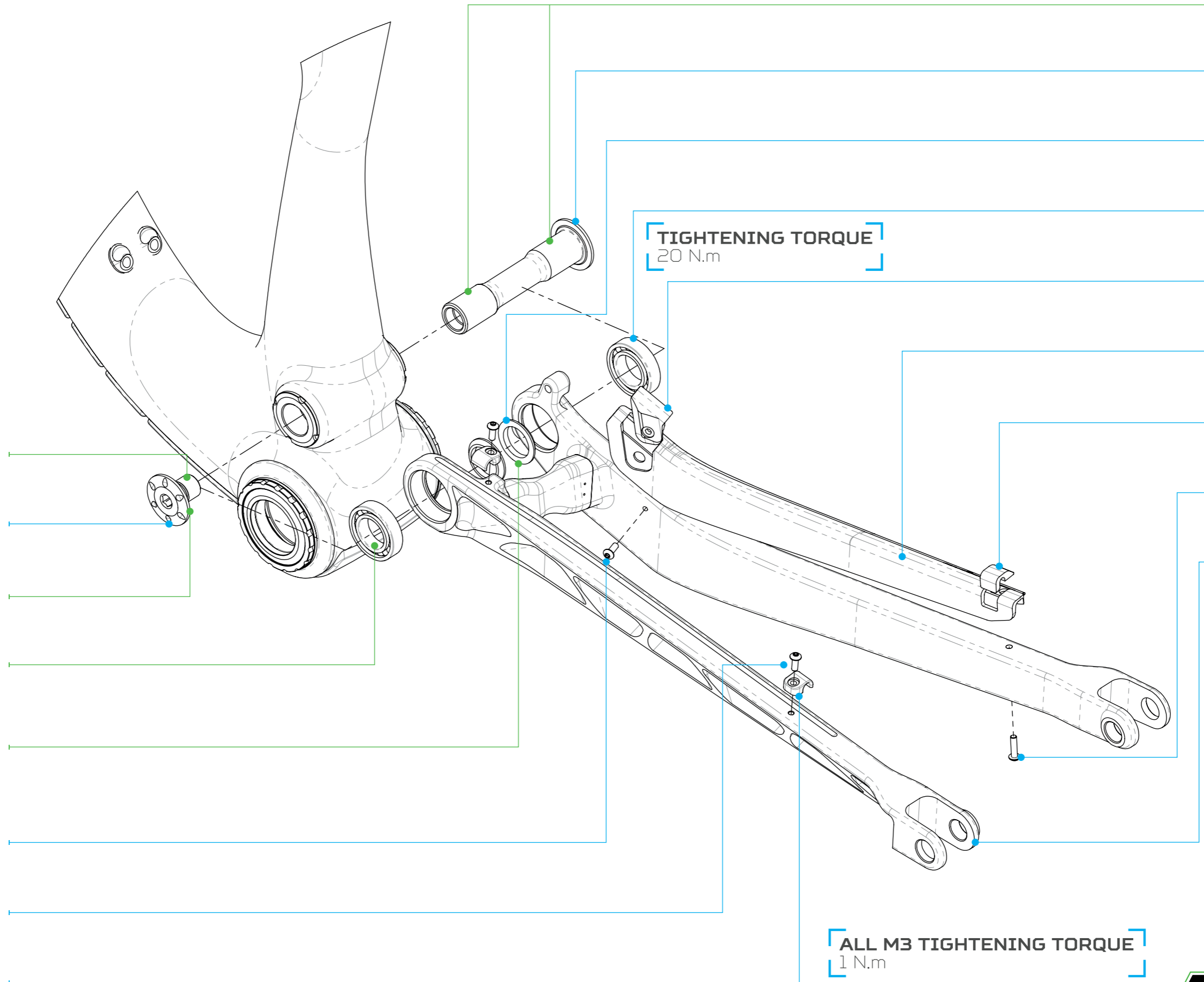
GREASE
On inner and outer
faces both sides

GREASE
On bearing location
both sides

M3x8
Dome Head

M3x8 x2
Dome Head

Brake Hose Guide x2
HB102-46



TIGHTENING TORQUE
20 N.m

ALL M3 TIGHTENING TORQUE
1 N.m

GREASE
On \emptyset 17 shaft

Chainstay Axle
HB101-53

17x24x3 Spacer x2
HB101-13

17x28x7 Bearing x2

Chainstay Plate
HB102-32

Chainstay Protector
HB102-31

Chainstay Nut
HB102-33

M3x12
Dome Head

Chainstay Assembly
HB102-CSA





HB.130 SEATSTAY ASSEMBLY

Chainstay/Seatstay bolt
HB101-106

GREASE
On plain Ø

17x24x3 Spacer x2
HB101-13

Circlip x2
XVHM-28

17x28x7 Bearing x2

Seatstay Assembly
HB102-SSTA

LOCTITE 243
On female thread
both sides

Horst link bolt x2
HB102-18

TIGHTENING TORQUE
17 N.m

GREASE
On plain Ø
both sides

12x21x3 Spacer x4
HB101-49

12x24x6 Bearing x4
61901

GREASE
On inner and outer
faces 2 places

GREASE
On inner and outer
faces 4 places

LOCTITE 243
On thread

GREASE
On Ø 17 Shaft

Seatstay Axle
HB101-110

TIGHTENING TORQUE
20 N.m

GREASE
On bearing location
both sides

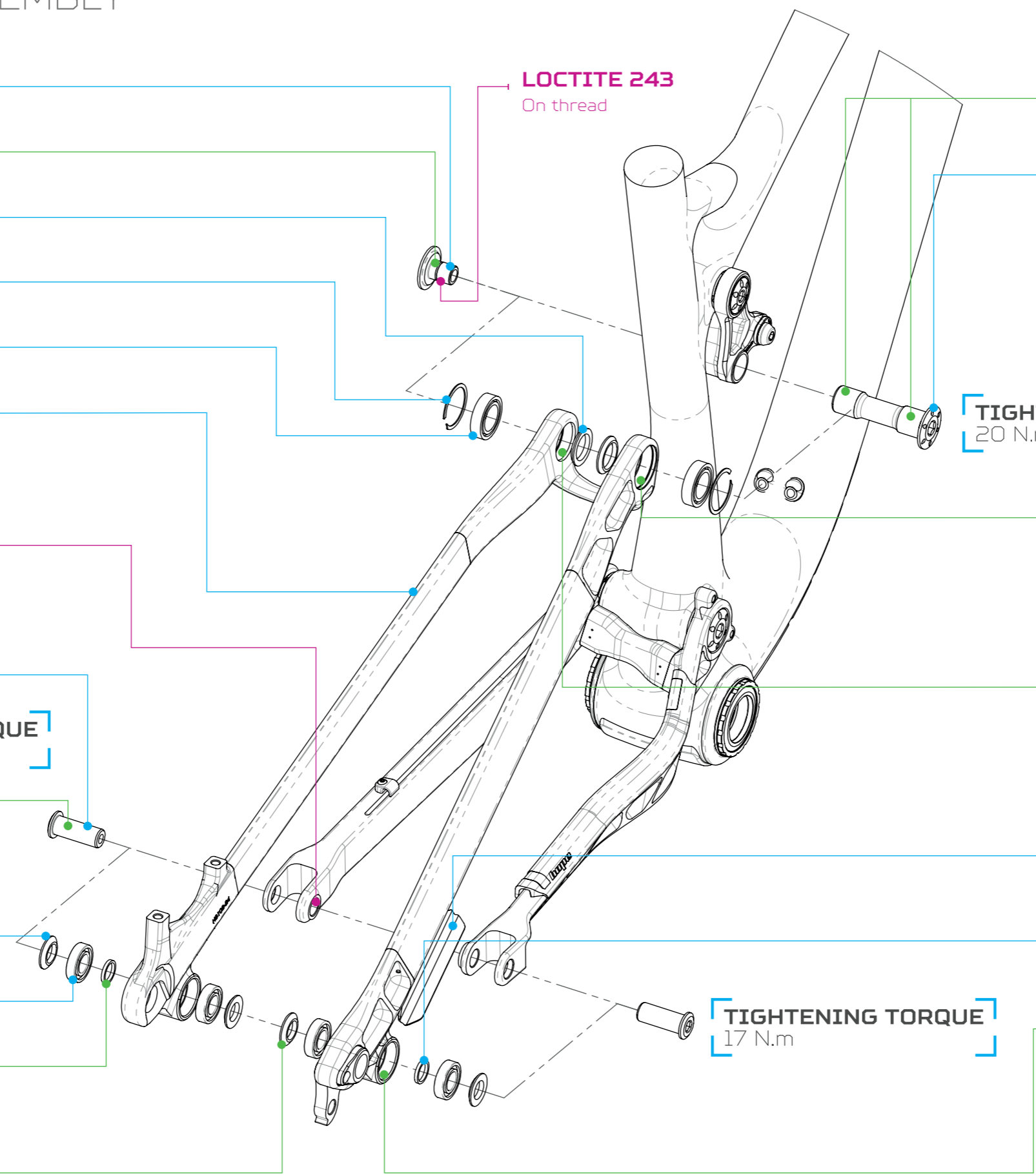
GREASE
On inner and outer
faces both sides

Seatstay Protector
HB102-45

12x15x2 Spacer x2
HB102-19

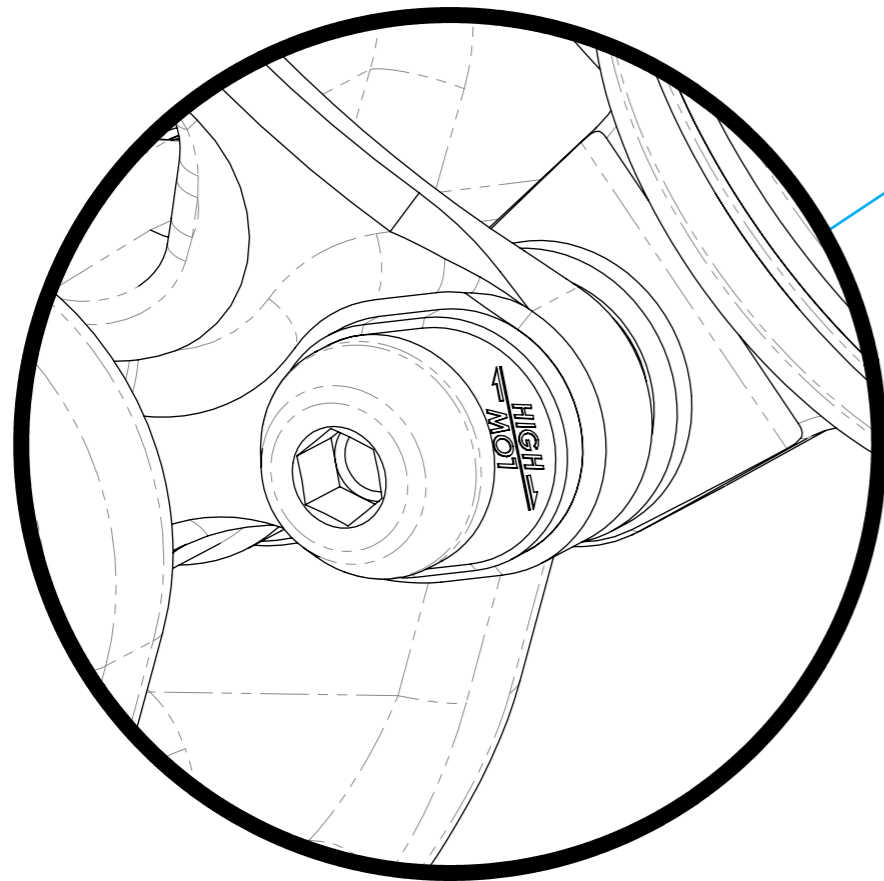
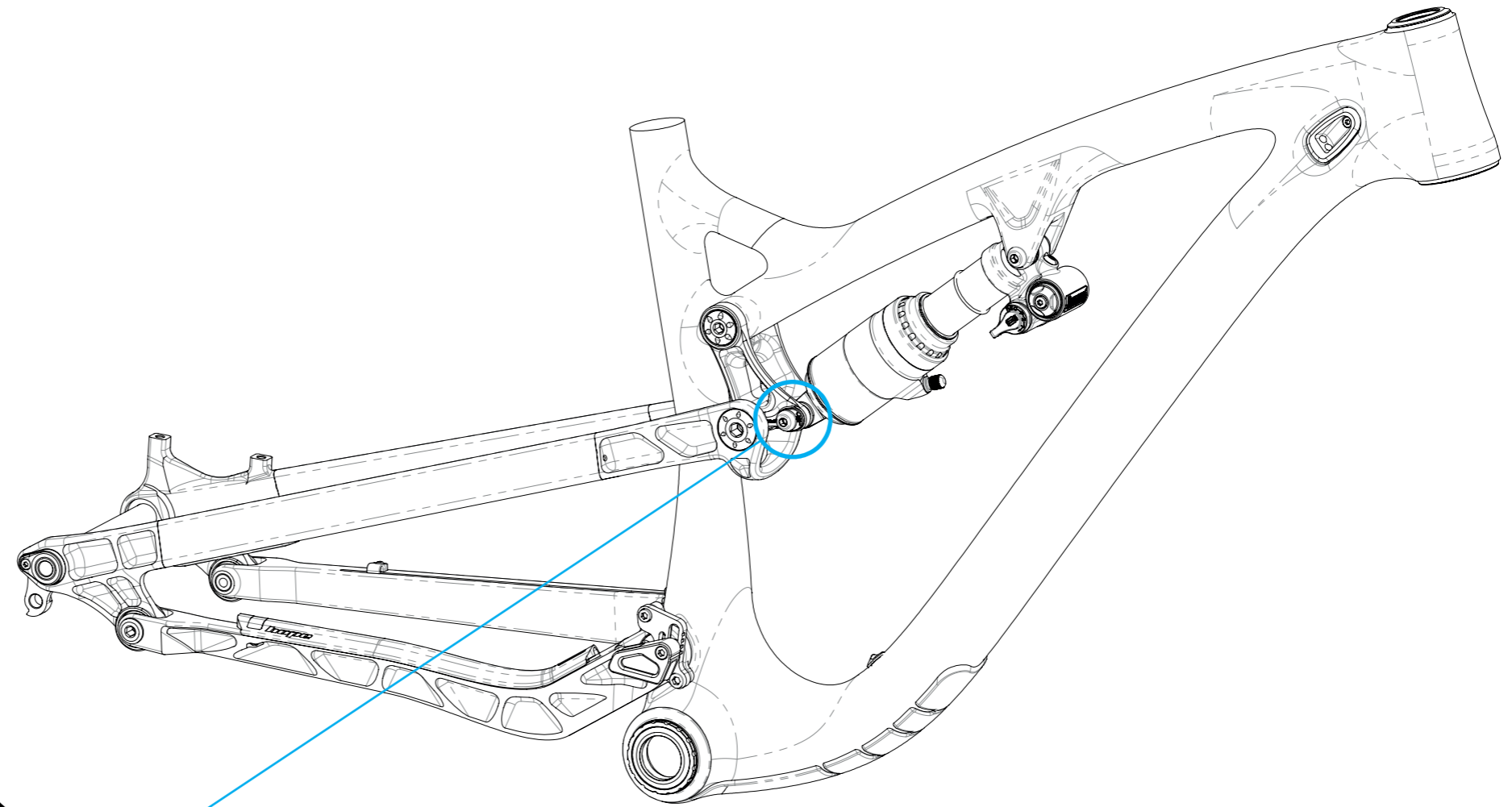
TIGHTENING TORQUE
17 N.m

GREASE
On inner and outer
faces 4 places





HB.130 FLIP CHIP



The laser etched flip chip should be located on the drive side. The arrow pointing up indicates in which setting the geometry is. For instance, on picture beside "LOW" setting. Turn both flip chip 180° to change the geometry setting.



HB.130

E4 CALIPER ASSEMBLY

Connector Bolt
HBSP047

Bleed Nipple O'ring
HBSP239

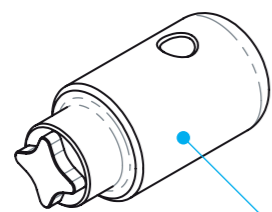
Bleed Nipple
HBSP238

Rubber Cap
HBSP240

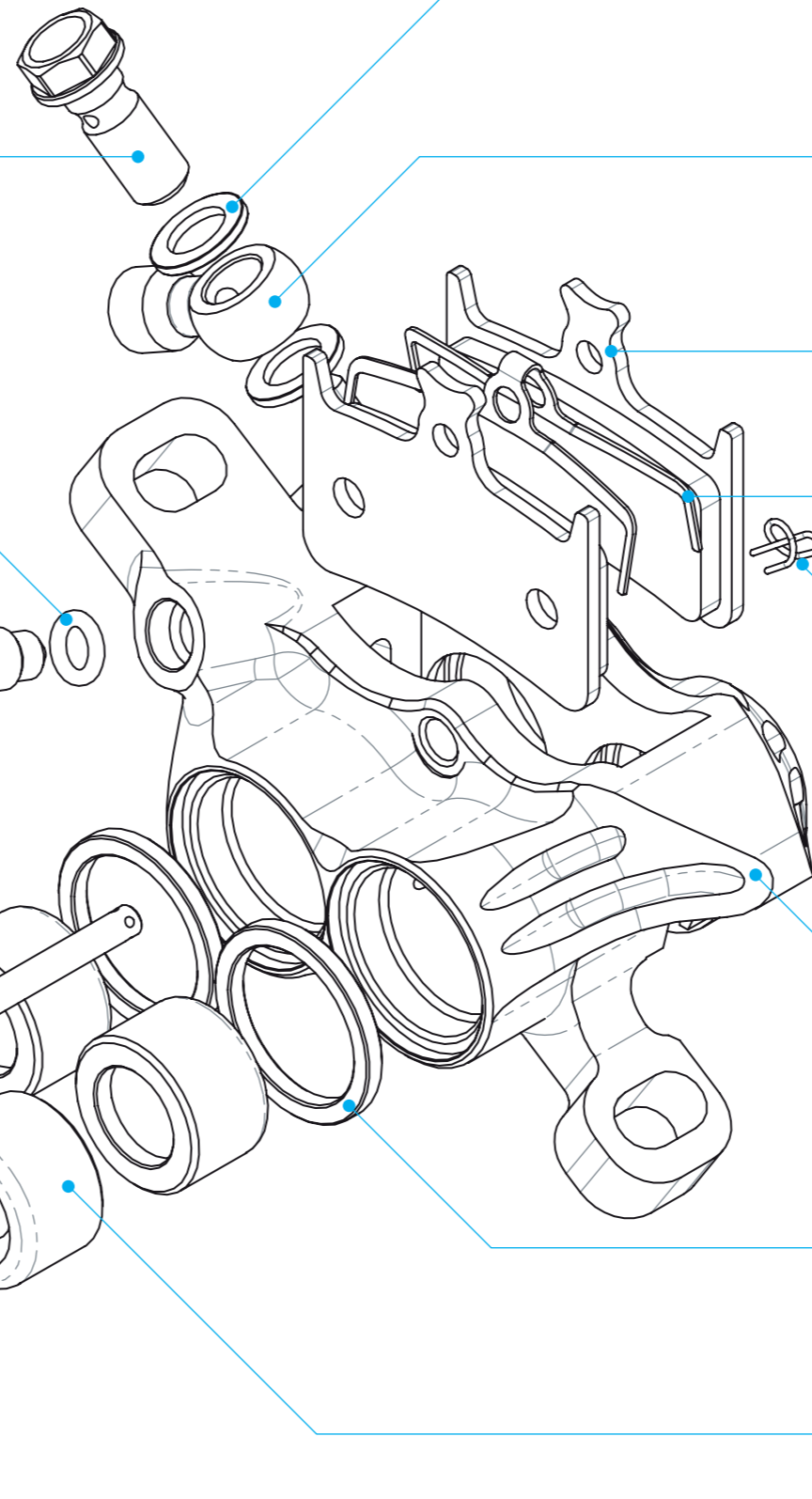
Pad Pin
HBSP204

E4 Bore Cap O'ring x2
HBSP140

E4 Bore Cap x2
HBSP302



Bore Cap Tool
HTTC-TC
NOT TO SCALE



M6 Sealing Washer x2
HBSP026

90° Connector
HBSP162

E4 Brake Pad x2
HBSP323

Pad Spring
HBSP142

Pad Pin R Clip
HBSP171

E4 Caliper Body
HBSP324

E4 Piston Seal x4
HBSP068

E4 Piston x4
HBSP136





HB.130 PRO4 HUB

20x32x7 Bearing x2
S6804

Rear Hub NDS Spacer
HUB1013-03

Rear Hub Centre Tube
HUB1009-86

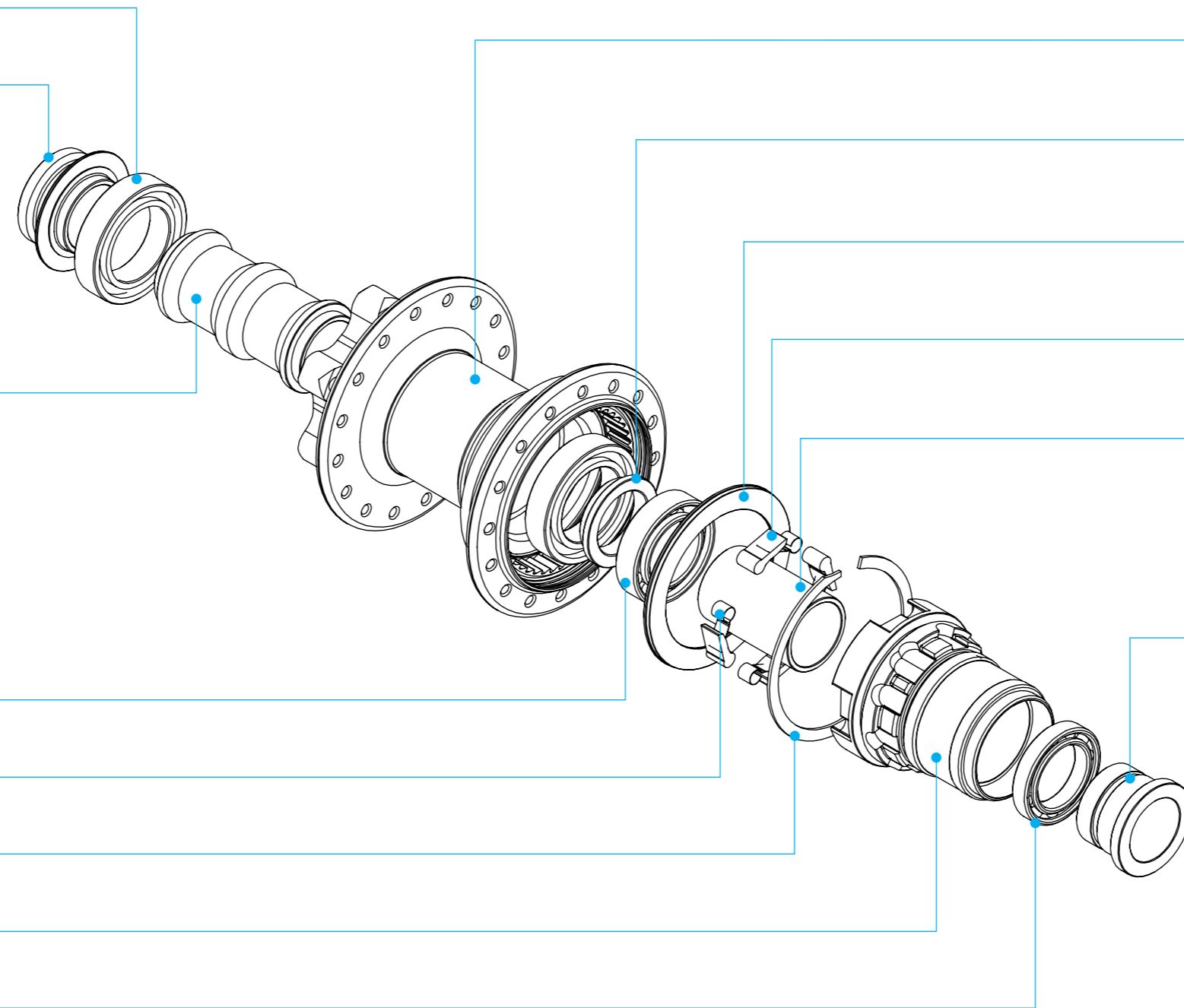
17x28x7 Bearing
17287

Pro 4 Pawl
HUB1009-26

Circlip
XVHM-48

Freehub XD Aluminium
HUB1009-21

17x26x5 Bearing
S6803



Pro 4 Rear Hub Body
HUB1009-19

Rear Hub Inner
Bearing Spacer
HUB1009-87

Drive Side Seal
HUB1009-5

Pawl Spring x4
HUB515

Pro 4 XD
Freehub Spacer
HUB1009-21

Rear Hub DS Spacer
HUB1013-01

