

HB.130 | 20  
TWENTY ONE



# HB.130

## EXPLODED VIEW

17x24x3 Spacer x2  
HB101-13

17x28x7 Bearing x2

Circlip x2  
XVHM-28

Chainstay/Seatstay Bolt  
HB101-106

Chainstay Seatstay Bolt  
HB101-106

NDS BB Cup  
HB101-117

Seatstay Assembly  
HB102-55TA

Brake Hose Guide x2  
HB102-46

Rear Wheel Axle  
HB101-88

Horst Link Bolt x2  
HB102-18

12x21x3 Spacer x4  
HB101-49

12x24x6 Bearing x4  
61901

12x15x2 Spacer x2  
HB102-19

Mech Hanger  
HB101-24

Rear Spindle Nut  
HB101-25

M4x12

Seatstay Protector  
HB102-45

Seatstay Axle  
HB101-110

Rocker Axle Female  
HB101-109

Rear Shock Screw x2  
HB102-4

Top Headset  
HSC7

12x24x6 Bearing x2  
61901

Twin Cable Entry  
HB102-42

Bottom Headset  
HSCJ

12x21x3 Spacer x2  
HB101-49

Single Cable Entry  
HB102-43

Seat post clamp  
HB102-47

Shim x2  
HB102-41

Rear Shock Axle x2  
HB102-3

Rocker  
HB102-28

Rocker Axle Male  
HB101-108

Rocker Flip Chip x2  
HB102-30

DT Rubber Protection  
HB102-44

Chainguide Assembly  
HB102-CG

BB Bearing Shield x2  
HB101-22 (30 BB)  
BB016-03 (Sram DUB)

BB 2mm spacer  
BB016-05  
(Sram DUB only)

BB Bearing x2  
30x42x7

DS BB Cup  
HB101-116

Centre Tube  
HB101-118  
Ø37x1.5 o'rings

Chainstay  
Assembly  
HB102-CSA

Chainstay Protector  
HB102-31

Chainstay Nut  
HB102-33

Chainstay Axle  
HB101-53

17x28x7 Bearing x2

17x24x3 Spacer x2  
HB101-13

Chainstay Plate  
HB102-32





# BOOST 148 HUB SPACING

## EXPLODED VIEW

17x24x3 Spacer x2  
HB101-13

17x28x7 Bearing x2

Circlip x2  
XVHM-28

Chainstay/Seatstay Bolt  
HB101-106

Chainstay Seatstay Bolt  
HB101-106

NDS BB Cup  
HB101-117

Boost148 Seatstay Ass.  
HB102-148SSTA

Brake Hose Guide x2  
HB102-46

Horst Link Bolt x2  
HB102-18

Boost 148 Rear Axle  
HB102-59

12x21x3 Spacer x4  
HB101-49

12x24x6 Bearing x4  
61901

12x15x2 Spacer x2  
HB102-19

SRAM UDH Mech  
Hanger Washer  
HB102-62

SRAM UDH Mech Hanger  
HB102-60

SRAM UDH Mech  
Hanger Screw  
HB102-61

Seatstay Protector  
HB102-45

Seatstay Axle  
HB101-110

Rocker Axle Female  
HB101-109

Rear Shock Screw x2  
HB102-4

Top Headset  
HSC7

12x24x6 Bearing x2  
61901

Twin Cable Entry  
HB102-42

Bottom Headset  
HSCJ

12x21x3 Spacer x2  
HB101-49

Single Cable Entry  
HB102-43

Seat post clamp  
HB102-47

Shim x2  
HB102-41

Rear Shock Axle x2  
HB102-3

Rocker  
HB102-28

Rocker Axle Male  
HB101-108

Rocker Flip Chip x2  
HB102-30

DT Rubber Protection  
HB102-44

Chainguide Assembly  
HB102-CG

BB Bearing Shield x2  
HB101-22 (30 BB)  
BB016-03 (Sram DUB)

BB 2mm Spacer  
BB016-05  
(Sram DUB only)

BB Bearing x2  
30x42x7

DS BB Cup  
HB101-116

Centre Tube  
HB101-118  
Ø37x1.5 o'rings

Boost148  
Chainstay  
Assembly  
HB102-148CSA

Chainstay Protector  
HB102-31

Chainstay Nut  
HB102-33

Chainstay Axle  
HB101-53

17x28x7 Bearing x2

17x24x3 Spacer x2  
HB101-13

Chainstay Plate  
HB102-32





# HB.130

## TIGHTENING TORQUES

**Rocker Pivot**  
17 N.m

**Seatstay Pivot**  
20 N.m

**Horst Link Pivot**  
17 N.m

**Rear Wheel Axle**  
30-35 N.m

**Mech Hanger Bolt**  
3 N.m

**Seat post Clamp**  
6 N.m both bolts

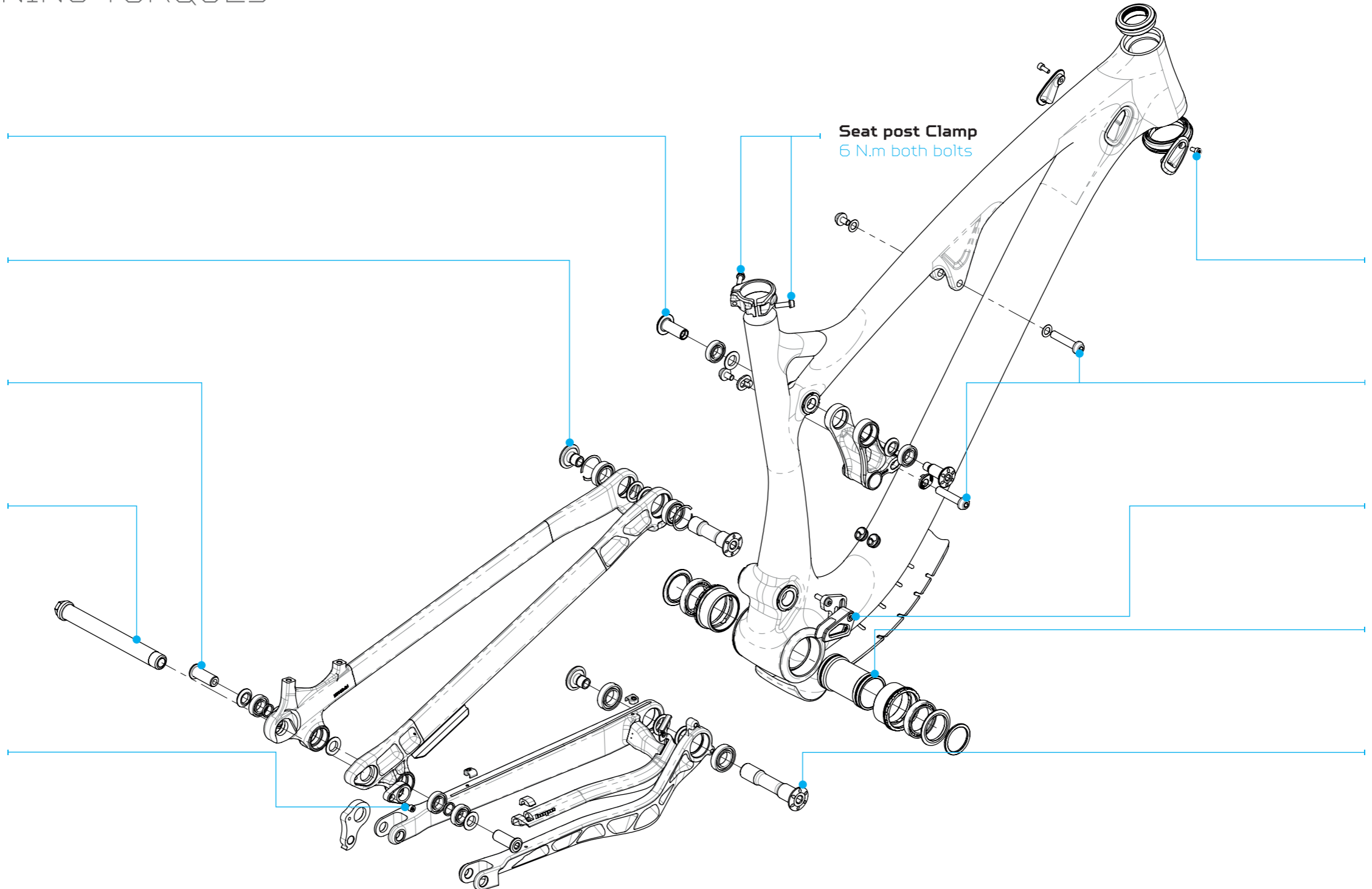
**Cable/Hose Guide Screw**  
3 N.m

**Rear Shock Bolts**  
9 N.m

**Chainguide Bolts**  
5 N.m

**BB Cups**  
45-55 N.m

**Chainstay Pivot**  
20 N.m



**TIGHTENING TORQUES**  
BOTTLE CAGE M5 5N.m  
HOSE CLIP, CHAINSTAY PROTECTOR M3 1 N.m

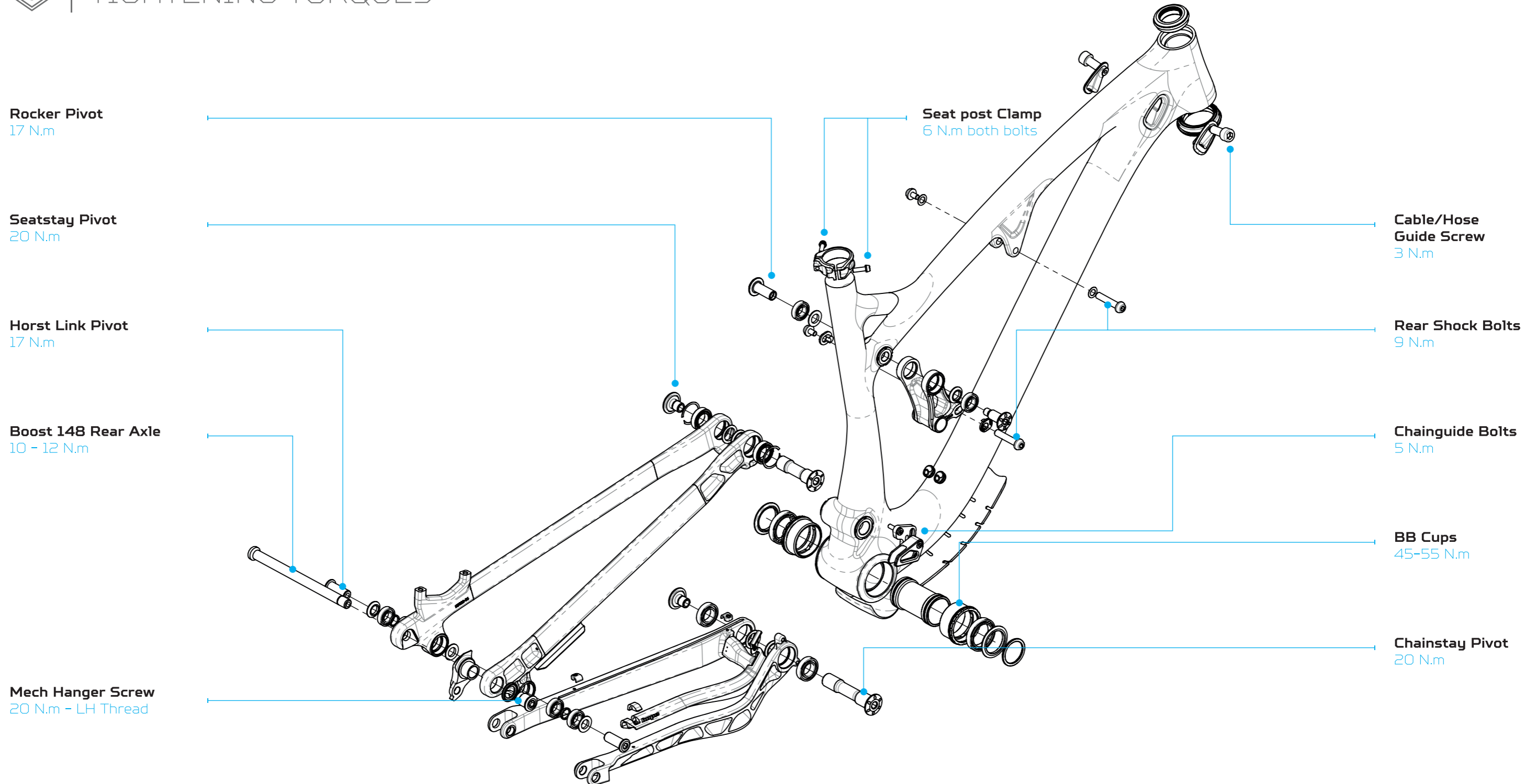






# HB.130 BOOST 148

## TIGHTENING TORQUES



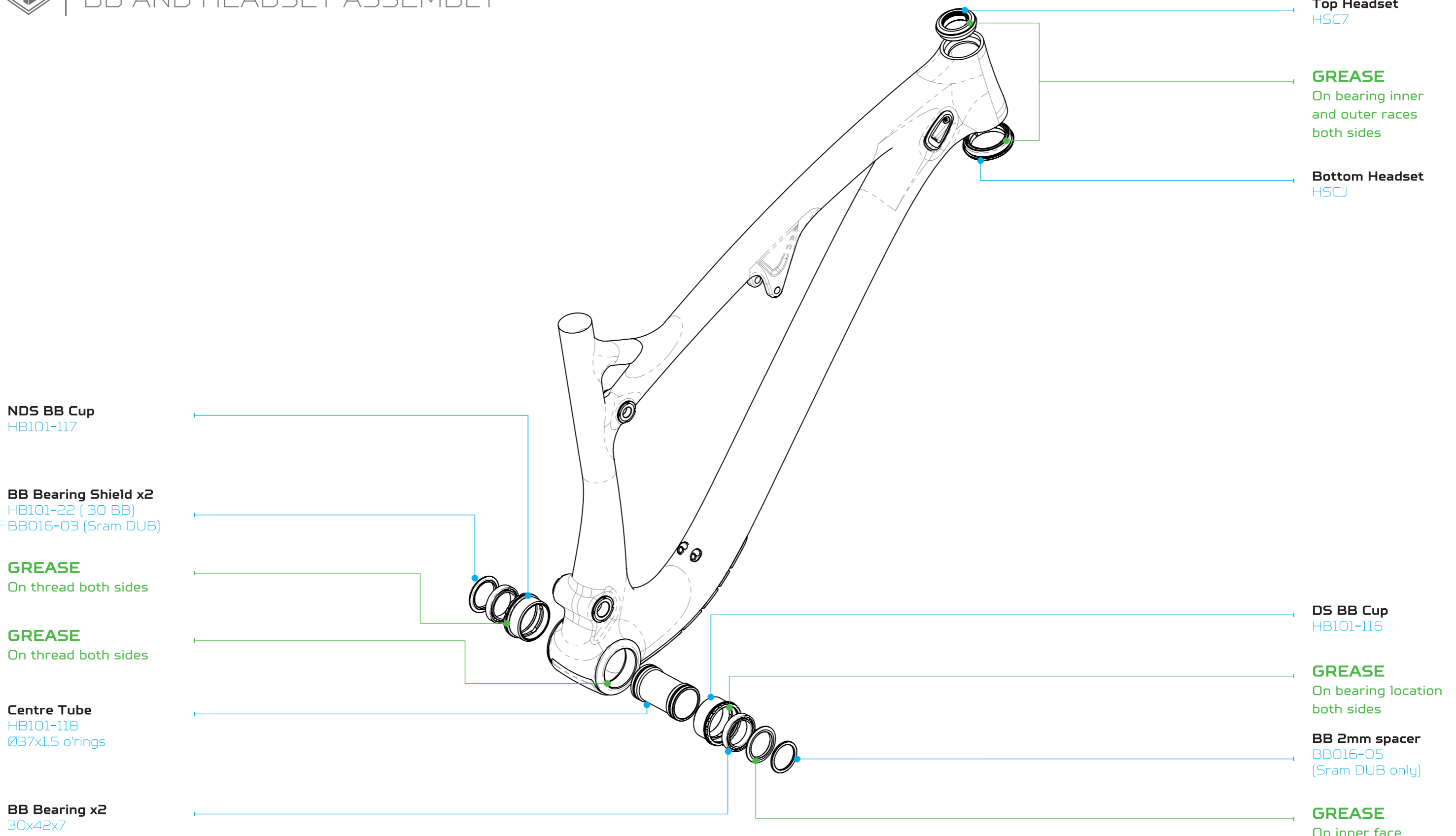
**TIGHTENING TORQUES**  
BOTTLE CAGE M5 5 N.m  
HOSE CLIP, CHAINSTAY PROTECTOR M3 1 N.m





# HB.130

## BB AND HEADSET ASSEMBLY



**NDS BB Cup**  
HB101-117

**BB Bearing Shield x2**  
HB101-22 (30 BB)  
BB016-03 (Sram DUB)

**GREASE**  
On thread both sides

**GREASE**  
On thread both sides

**Centre Tube**  
HB101-118  
Ø37x1.5 o'rings

**BB Bearing x2**  
30x42x7

**Top Headset**  
HSC7

**GREASE**  
On bearing inner  
and outer races  
both sides

**Bottom Headset**  
HSCJ

**DS BB Cup**  
HB101-116

**GREASE**  
On bearing location  
both sides

**BB 2mm spacer**  
BB016-05  
(Sram DUB only)

**GREASE**  
On inner face  
both sides

**TIGHTENING TORQUE**  
45-55 N.m





# HB.130

## ROCKER ASSEMBLY

### GREASE

On inner and outer faces both sides

**12x24x6 Bearing x2**  
61901

**LOCTITE 243**  
On thread

**Rocker Axle Male**  
HB101-108

**TIGHTENING TORQUE**  
17 N.m

**GREASE**  
On Shaft

**GREASE**  
On bearing location both sides

**Rear Shock Axle x2**  
HB102-3

**GREASE**  
On both axle

**Rocker Flip Chip x2**  
HB102-30  
(Laser Etching on DS)

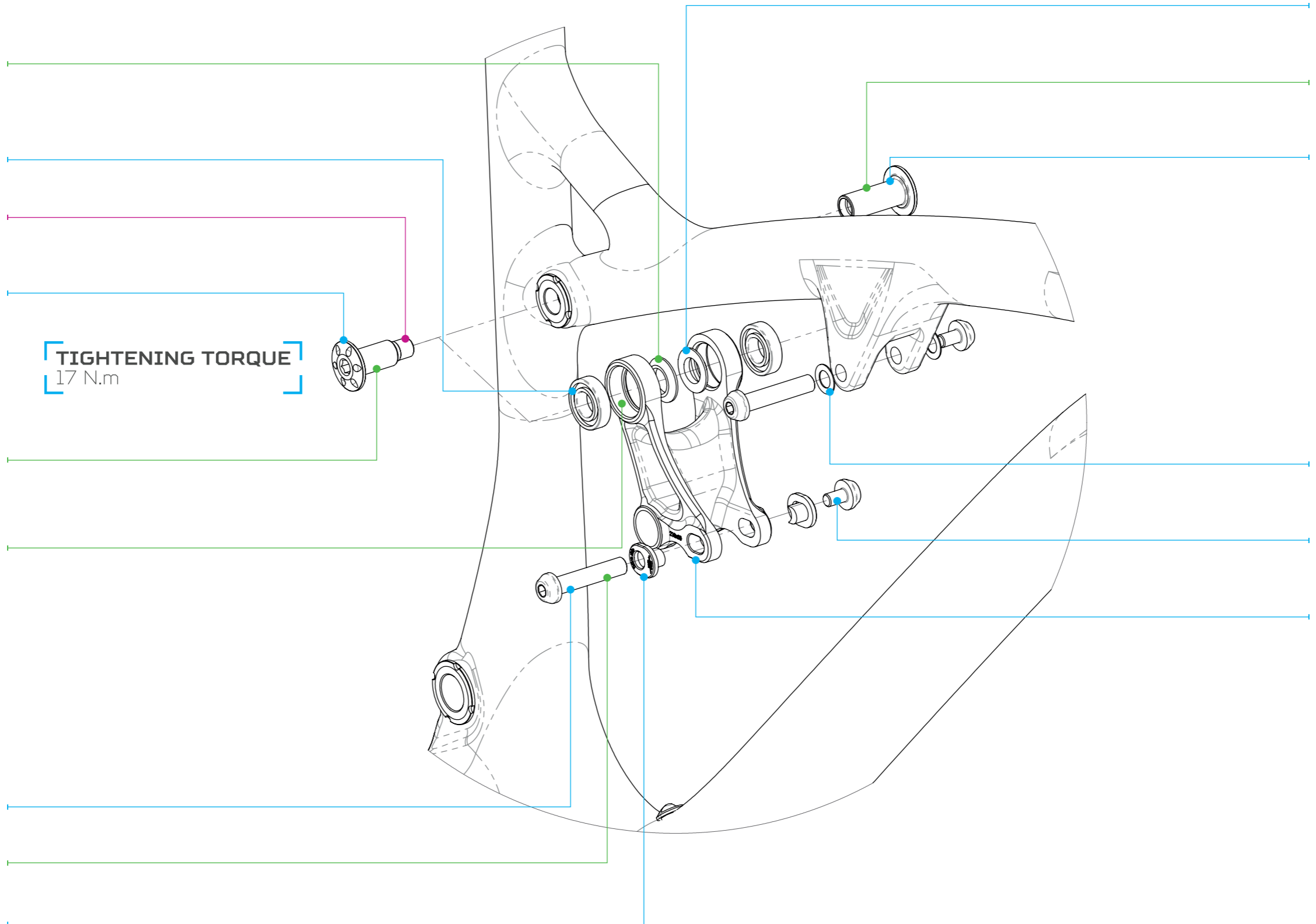
**12x21x3 Spacer x2**  
HB101-49

**Rocker Axle Female**  
HB101-109

**Shim x2**  
HB102-41

**Rear Shock Screw x2**  
HB102-4

**Rocker**  
HB102-28  
**Rocker**  
**140mm Mullet**  
HB102-54





# HB.130

## CHAINSTAY ASSEMBLY

**LOCTITE 243**

On thread

**Chainstay Seatstay Bolt**

HB101-106

**GREASE**

On plain  $\emptyset$

**GREASE**

On inner and outer  
faces both sides

**GREASE**

On bearing location  
both sides

**M3x8**

Dome Head

**M3x8 x2**

Dome Head

**Brake Hose Guide x2**

HB102-46

**GREASE**

On  $\emptyset$  17 shaft

**Chainstay Axle**

HB101-53

**17x24x3 Spacer x2**

HB101-13

**17x28x7 Bearing x2**

**TIGHTENING TORQUE**

20 N.m

**Chainstay Plate**

HB102-32

**Chainstay Protector**

HB102-31

**Chainstay Nut**

HB102-33

**M3x12**

Dome Head

**Chainstay Assembly**

HB102-CSA

**ALL M3 TIGHTENING TORQUE**

1 N.m





# HB.130 SEATSTAY ASSEMBLY

Chainstay/Seatstay bolt  
HB101-106

GREASE  
On plain Ø

17x24x3 Spacer x2  
HB101-13

Circlip x2  
XVHM-28

17x28x7 Bearing x2

Seatstay Assembly  
HB102-SSTA

LOCTITE 243  
On female thread  
both sides

Horst link bolt x2  
HB102-18

TIGHTENING TORQUE  
17 N.m

GREASE  
On plain Ø  
both sides

12x21x3 Spacer x4  
HB101-49

12x24x6 Bearing x4  
61901

GREASE  
On inner and outer  
faces 2 places

GREASE  
On inner and outer  
faces 4 places

LOCTITE 243  
On thread

GREASE  
On Ø 17 Shaft

Seatstay Axle  
HB101-110

TIGHTENING TORQUE  
20 N.m

GREASE  
On bearing location  
both sides

GREASE  
On inner and outer  
faces both sides

Seatstay Protector  
HB102-45

12x15x2 Spacer x2  
HB102-19

GREASE  
On inner and outer  
faces 4 places

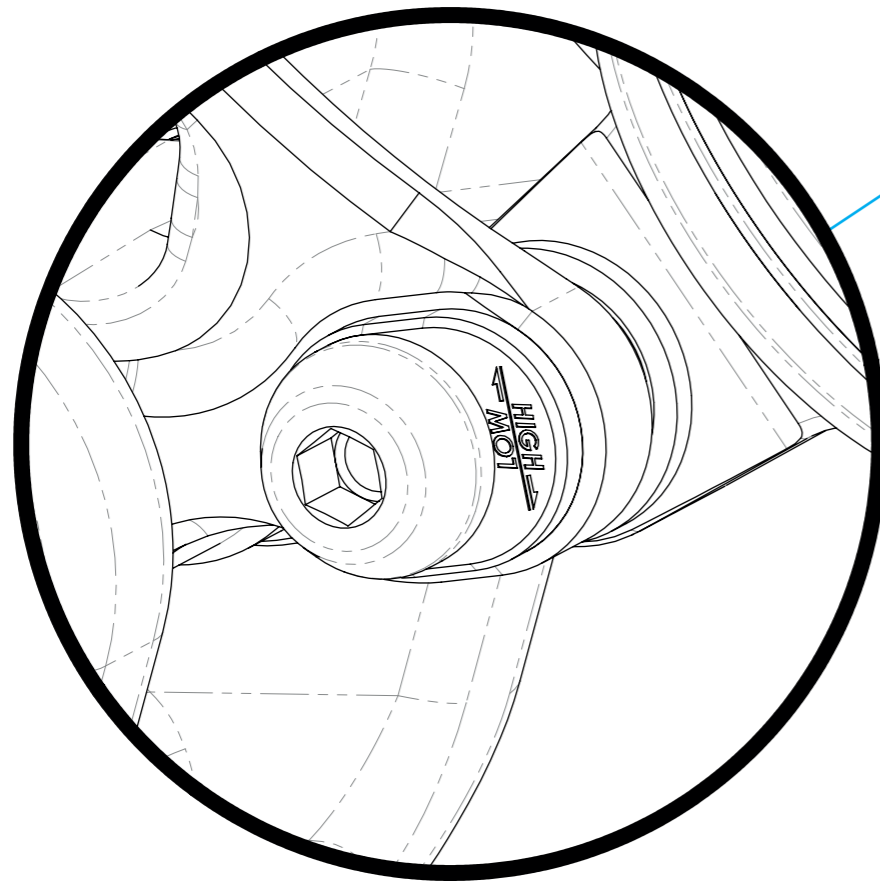
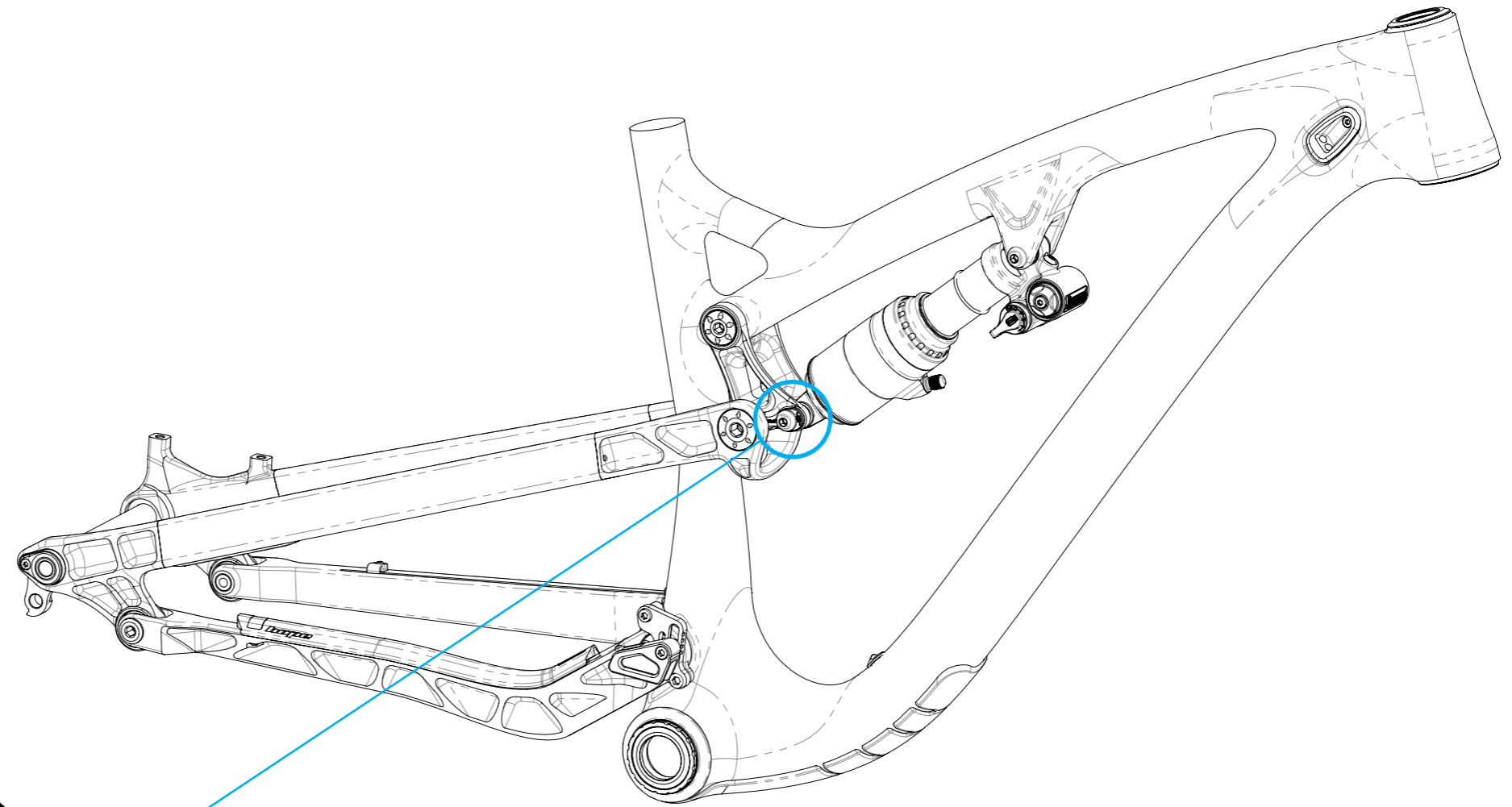
TIGHTENING TORQUE  
17 N.m







# HB.130 FLIP CHIP



The laser etched flip chip should be located on the drive side. The arrow pointing up indicates in which setting the geometry is. For instance, on picture beside "LOW" setting. Turn both flip chip 180° to change the geometry setting.



# HB.130

## E4 CALIPER ASSEMBLY

Connector Bolt  
HBSP047

Bleed Nipple O'ring  
HBSP239

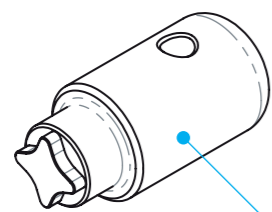
Bleed Nipple  
HBSP238

Rubber Cap  
HBSP240

Pad Pin  
HBSP204

E4 Bore Cap O'ring x2  
HBSP140

E4 Bore Cap x2  
HBSP302



Bore Cap Tool  
HTTC-TC  
NOT TO SCALE

M6 Sealing Washer x2  
HBSP026

90° Connector  
HBSP162

E4 Brake Pad x2  
HBSP323

Pad Spring  
HBSP142

Pad Pin R Clip  
HBSP171

E4 Caliper Body  
HBSP324

E4 Piston Seal x4  
HBSP068

E4 Piston x4  
HBSP136





# HB.130 PRO4 HUB

20x32x7 Bearing x2  
S6804

Rear Hub NDS Spacer  
HUB1013-03

Rear Hub Centre Tube  
HUB1009-86

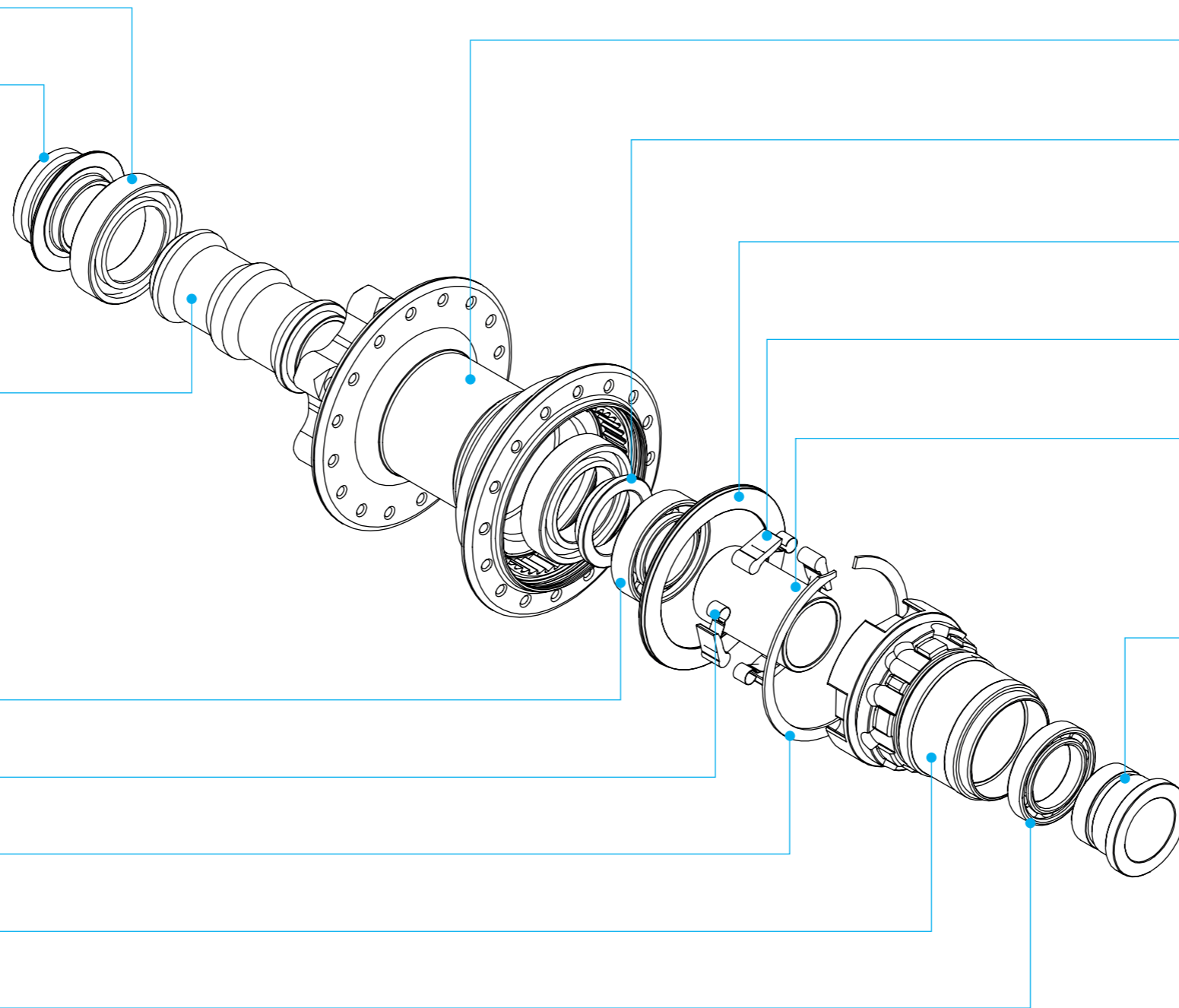
17x28x7 Bearing  
17287

Pro 4 Pawl  
HUB1009-26

Circlip  
XVHM-48

Freehub XD Aluminium  
HUB1009-21

17x26x5 Bearing  
S6803



Pro 4 Rear Hub Body  
HUB1009-19

Rear Hub Inner  
Bearing Spacer  
HUB1009-87

Drive Side Seal  
HUB1009-5

Pawl Spring x4  
HUB515

Pro 4 XD  
Freehub Spacer  
HUB1009-21

Rear Hub DS Spacer  
HUB1013-01

