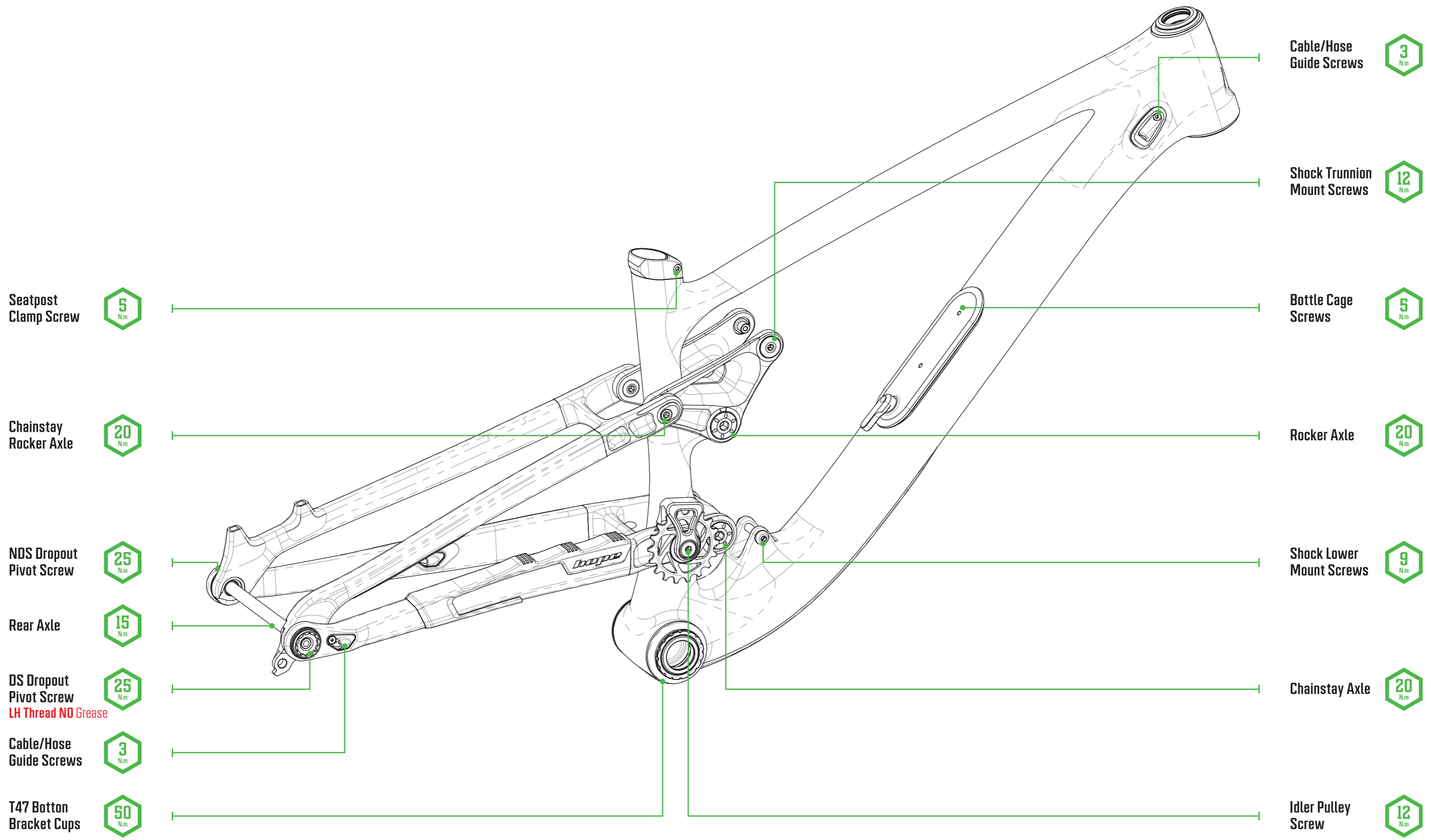


**HB.916**  
TECH BOOK

m ipsum



Apply Grease  
on face or thread

Apply low strength  
Threadlock on thread

Adjustable Lower Headset 0°  
HSHB916U0

Adjustable Upper Headset Cup 0° only  
HB103-29

Adjustable Lower Headset 1°  
HSHB916U1

Adjustable Upper Headset Cup 1° only  
HB103-27

M5x20

Seatpost Clamp  
HB103-16

Butty Box Lid Complete  
HB916-BLA

DT Rubber Protection Nut  
HB103-46

DT Rubber Protection Screw  
HB103-47

T47 Bottom Bracket  
BBT478630SSN

DT Rubber Protection  
HB103-45

Adjustable Lower Headset  
HSHB916L

Adjustable Lower Headset Cup only  
HB103-28

Lock Lever  
HB103-67

Barrel O'Ring  
Ø8 x 1.5

Wave Spring  
CMS 16

Lock Latch  
HB103-62

M5x10  
Disc Screw

Butty Box Top Lid  
HB103-36

Butty Box Gasket  
HB103-59

Fixed Spring Latch  
HB103-63

M3x8 (x2)  
HB103-62



Apply Grease  
on face or thread



Apply low strength  
Threadlock on thread

**12x21x3 Spacer x2**  
HB101-49

**Rocker/Seatstay Pivot  
Bearing x2**  
12x21x8

**Rocker/Seatstay  
Pivot Screw x2**  
HB103-48

**Rocker Body**  
HB103-06

**Internal Snap Ring x2**  
XVHM-21

**12x21x3 Spacer x2**  
HB101-49

**Internal Snap Ring x2**  
XVHM-22

**Trunnion Shock Screw x2**  
HB103-15

**Rocker Axle**  
HB103-12

**Internal Snap Ring x2**  
XVHM-28

**Rocker pivot Bearing x2**  
17x28x9

**17x24x3 Spacer x2**  
HB101-13

**Trunnion Mount Bearing x2**  
10x22x6-9

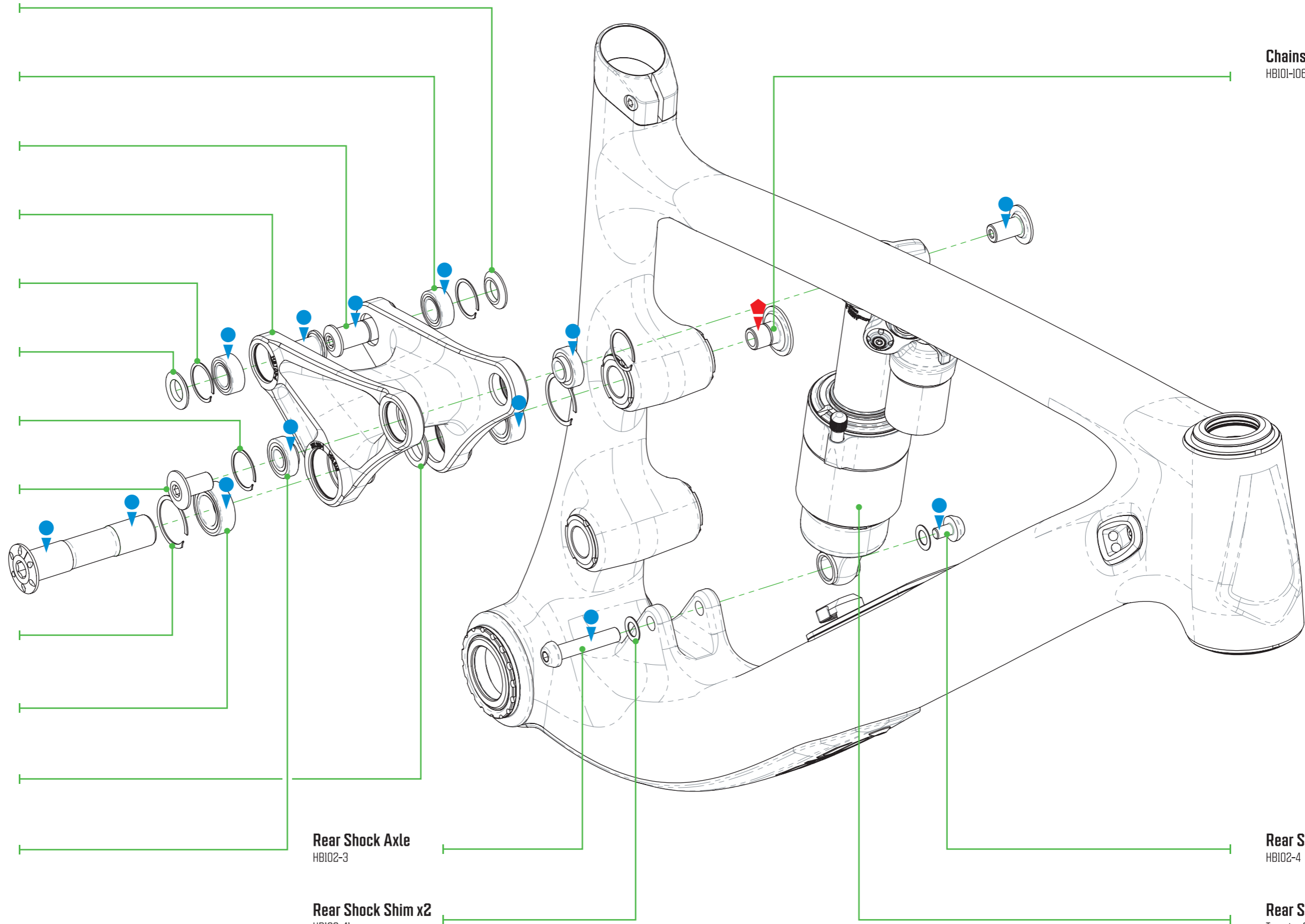
**Rear Shock Axle**  
HB102-3

**Rear Shock Shim x2**  
HB102-41

**Chainstay/Rocker bolt**  
HB101-106

**Rear Shock Screw**  
HB102-4

**Rear Shock**  
Trunnion 205x65  
Ø8x21.Ø4Hardware



Apply Grease  
on face or thread

Apply low strength  
Threadlock on thread

**Rear Pivot Bearing x2**

20x32x7

**20x24x3 Spacer x2**

HB103-23

**Chainstay**

HB916-CS

**CS Screw x2**

M4x8

**Cable Exit Block x2**

HB103-57

**Chainstay Protector**

HB103-44

**Idler Pulley Cage**

HB103-72

**Idler Pulley Bearing**

12x28x8

**Idler Pulley Bolt**

HB103-70

**Chainstay Axle**

HB103-11

**Chainstay/Rocker Bolt**

HB101-106

**Chainstay Pivot Bearing x2**

17x28x7

**Internal Snap Ring x2**

XVHM-28

**17x24x3 Spacer x2**

HB101-13

**Idler Pulley Inner Spacer**

HB103-68

**Idler Pulley**

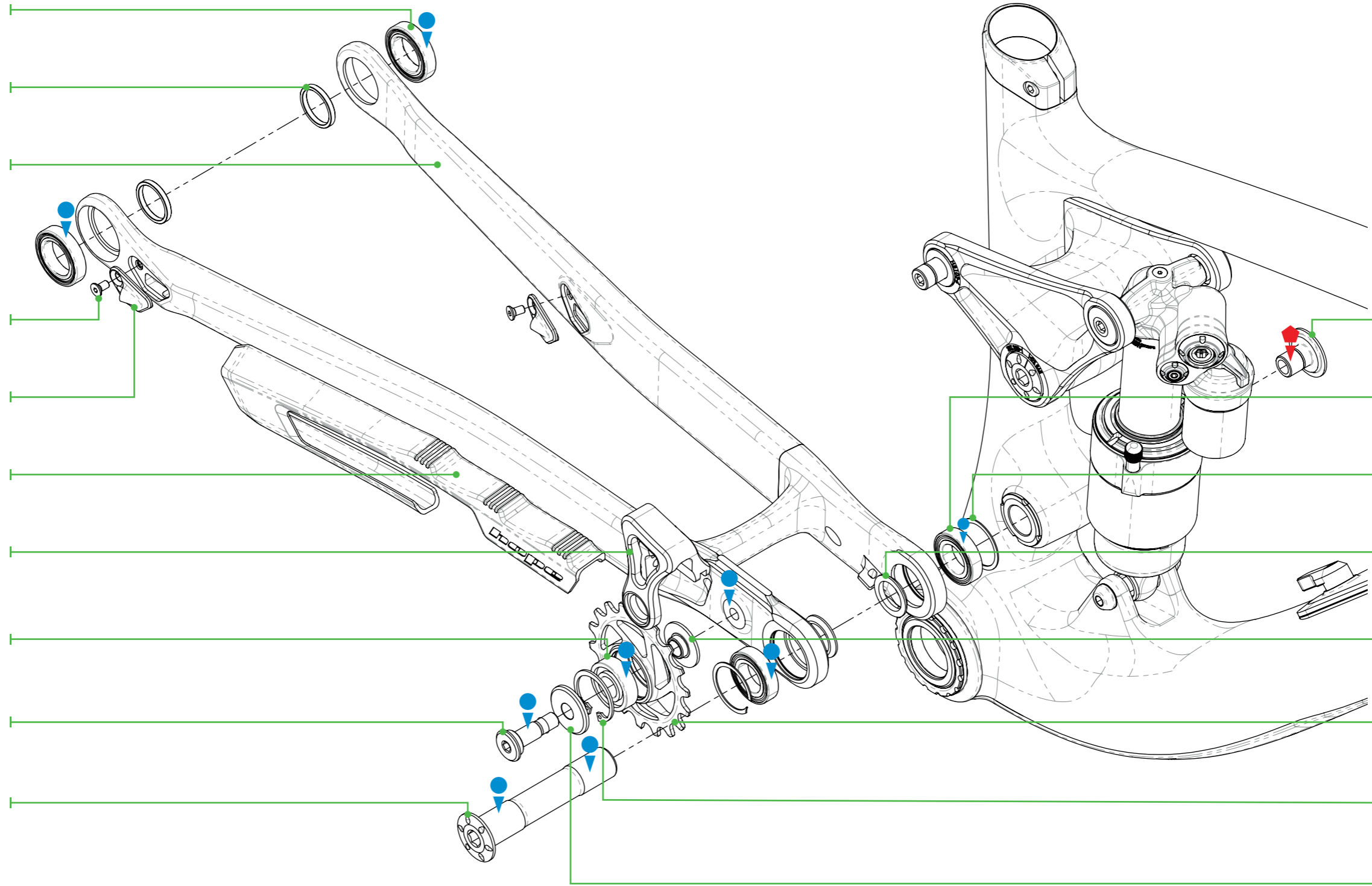
HB103-71

**Idler Pulley Circlip**

HB103-73

**Idler Pulley Outer Spacer**

HB103-69



HB 916 TECH BOOK | 005 | HOPETECHHB.CO.UK

Apply Grease  
on face or thread

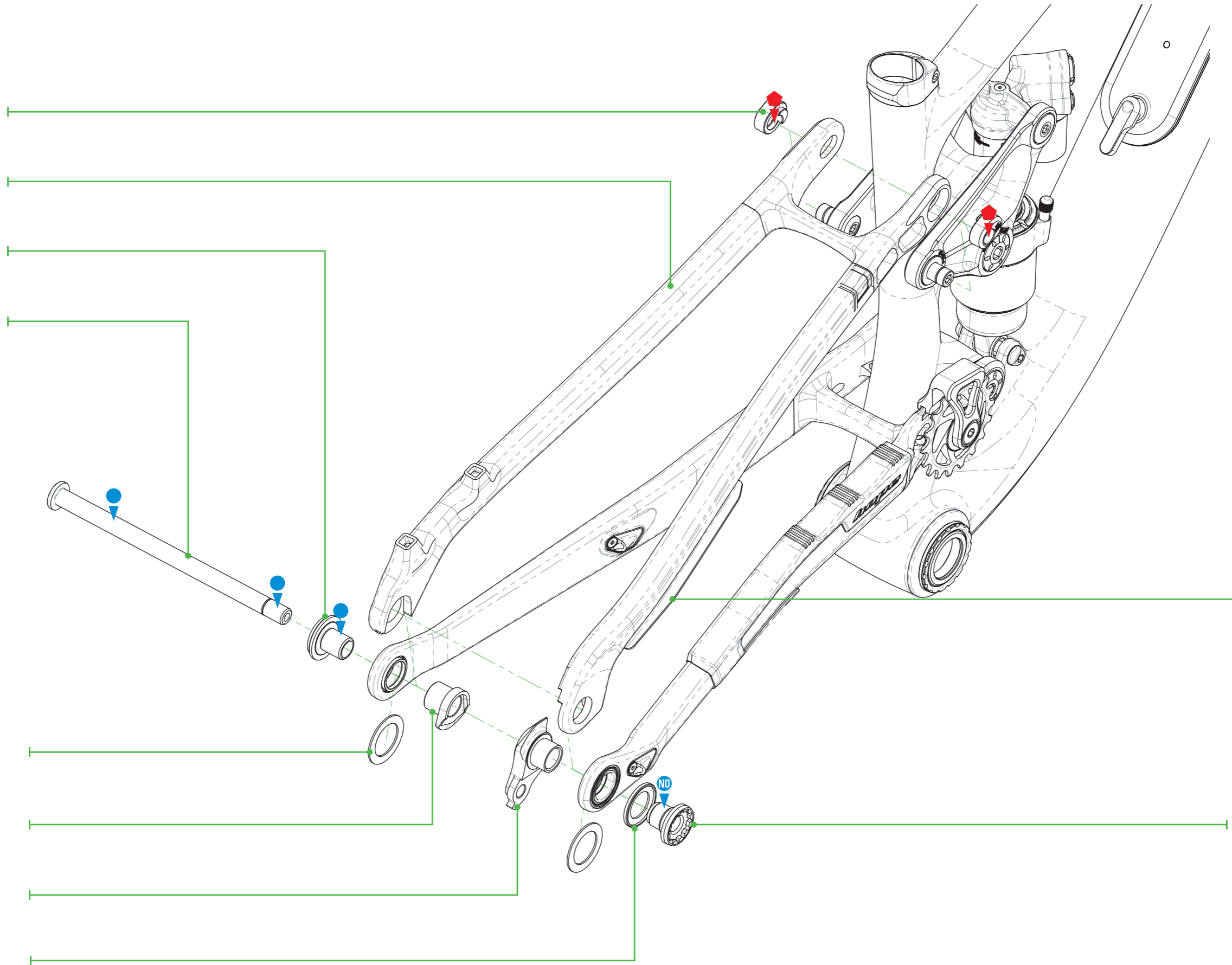
Apply low strength  
Threadlock on thread

6mm Flip Chip x2  
HB103-49

Seatstay  
HB916-ST

NDS Dropout  
Pivot Screw  
HB103-8

Rear Axle  
HB103-19



Seatstay Protector  
HB103-51

24x36x1 Washer x2  
HB103-58

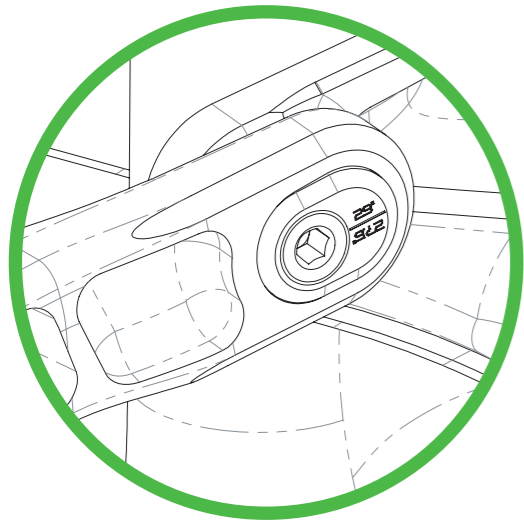
NDS Dropout  
HB103-22

SRAM UDH  
HB102-60 std  
HB103-5 aluminium

DS Dropout  
Pivot Screw Washer  
HB103-60

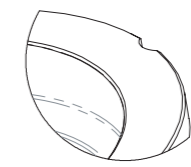
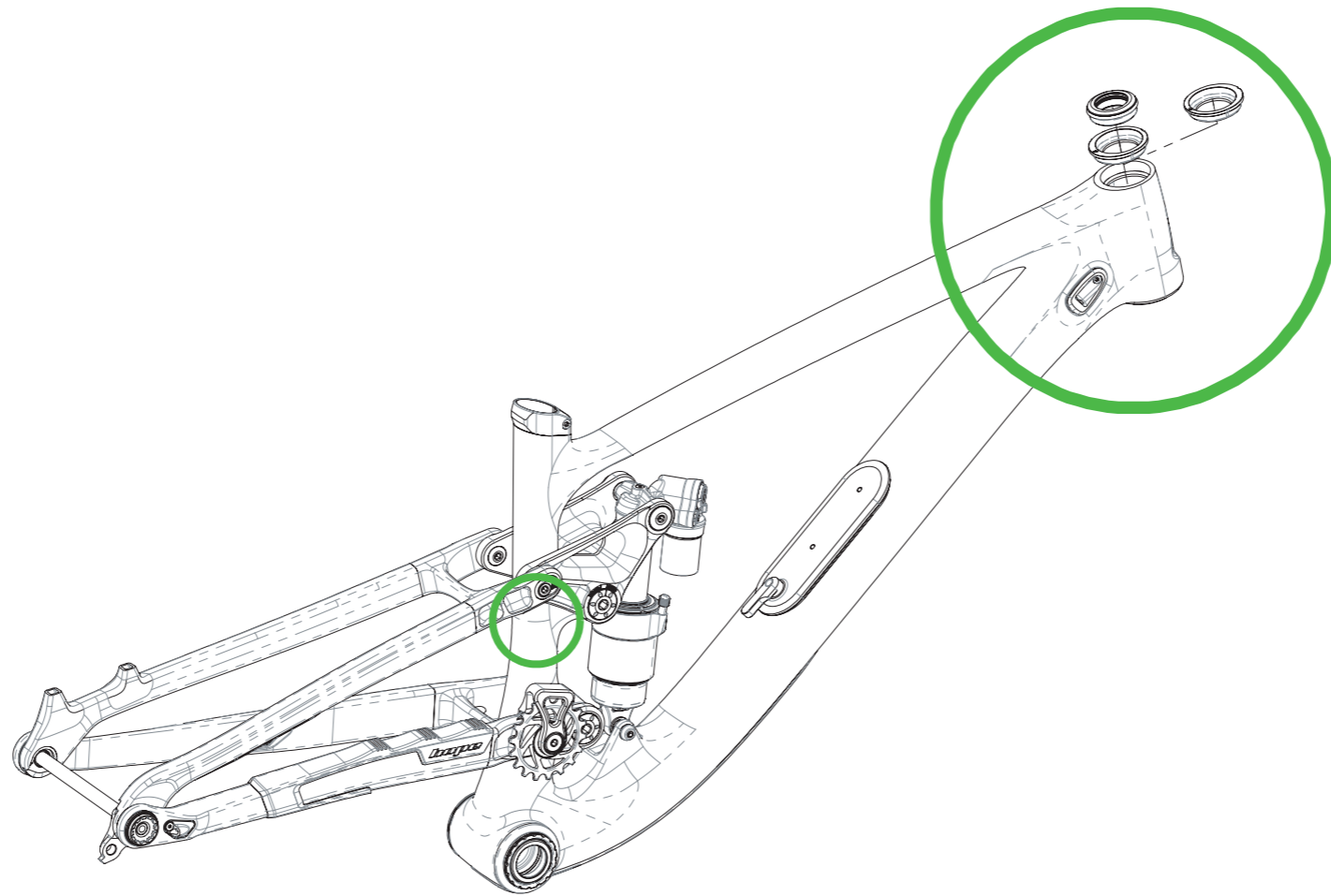
DS Dropout Pivot Screw  
HB103-7



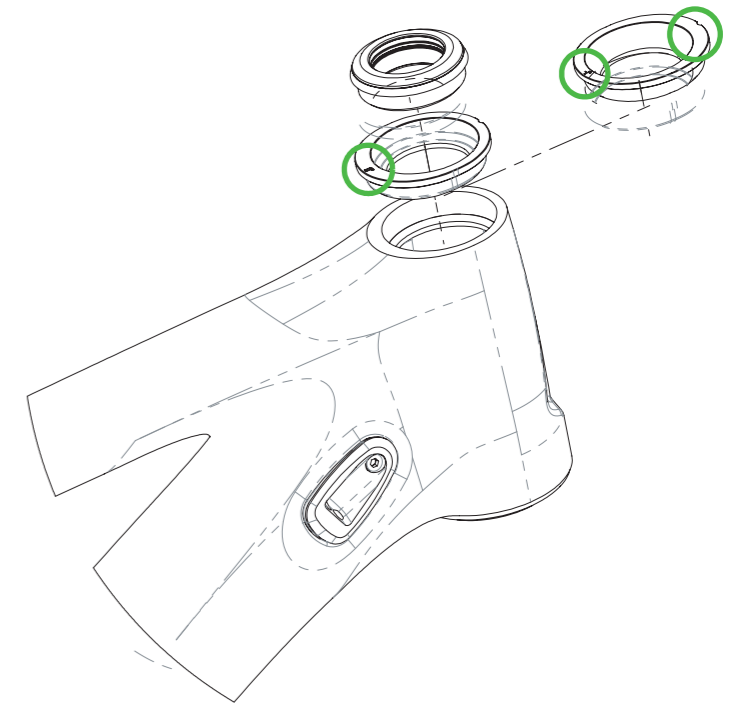


### Wheel Size Adjustment

To switch between 29" and 27.5" rear wheel size, on both sides of the rocker change the orientation of the Flip Chip. When the Pivot Bolt is on the rearward position use a 29" wheel. When the pivot bolt is on the forward position use a 27.5" wheel. The writing pointing up on the drive side Flip Chip indicates what wheel size you should use (29" on exemple above).



**Front Notch**  
Pointing forward.



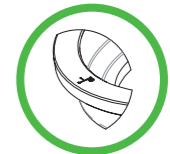
### Head Angle Adjustment

To adjust the head angle **only the Top Cup** needs changing. Use the 0° engraved cup to achieve a **64° head angle** (STD setting). Use the -1° engraved cup to achieve a **63.2° head angle** (Slack setting). On installation be aware that the notch is pointing **forward**.

0° Engraved Cup



-1° Engraved Cup







<b>MATERIAL</b>	Carbon Fibre Monocoque Front Triangle, Hybrid Aluminium/Carbon Rear Triangle
<b>COLORS</b>	Raw Carbon, Chameleon, Neutral
<b>FRAME SIZING</b>	H1, H2, H3, H4
<b>FORK TRAVEL</b>	170mm
<b>FORK AXLE TO CROWN</b>	584mm
<b>FORK OFFSET</b>	44mm
<b>REAR TRAVEL</b>	160mm
<b>REAR SHOCK</b>	205mmx65mm
<b>SHOCK HARDWARE</b>	Trunnion Top - Ø8x21.84mm bottom
<b>RECOMMENDED SAG</b>	27 to 33%
<b>WHEEL SIZE</b>	29" or 27.5"
<b>MAX TYRE SIZE</b>	2.6" (od Ø760mm max, width 75mm max)
<b>REAR HUB</b>	Boost 148x12
<b>REAR AXLE</b>	Hope HB103-19
<b>DERAILLEUR HANGER</b>	SRAM UDH *Not compatible with SRAM direct mount derailleurs.
<b>REAR BRAKE MOUNT</b>	Postmount 180
<b>HEADSET TOP</b>	Hope HS-HB916-U0 (0°) or HOPE HS-HB916-U1 (-1°)
<b>HEADSET BOTTOM</b>	Hope HS-HB916-L
<b>BOTTOM BRACKET</b>	89.5mm Shell - T47
<b>CHAINLINE</b>	51mm
<b>MAX CHAINRING</b>	36T
<b>MAX REAR ROTOR</b>	Ø203mm
<b>SEATPOST DIAMETER</b>	Ø31.6
<b>MAX SEATPOST INSERTION</b>	290mm on H1 and H2 sizes, 320mm on H3 and H4 sizes
<b>SEATPOST CLAMP</b>	Ø34.9 Custom
<b>FRAME BEARING LIST</b>	17x28x7 (x2), 20x32x7 (x2), 17x28x9 (double row x2), 12x21x8 (double row x2), 10x22x6/9 (x2)