

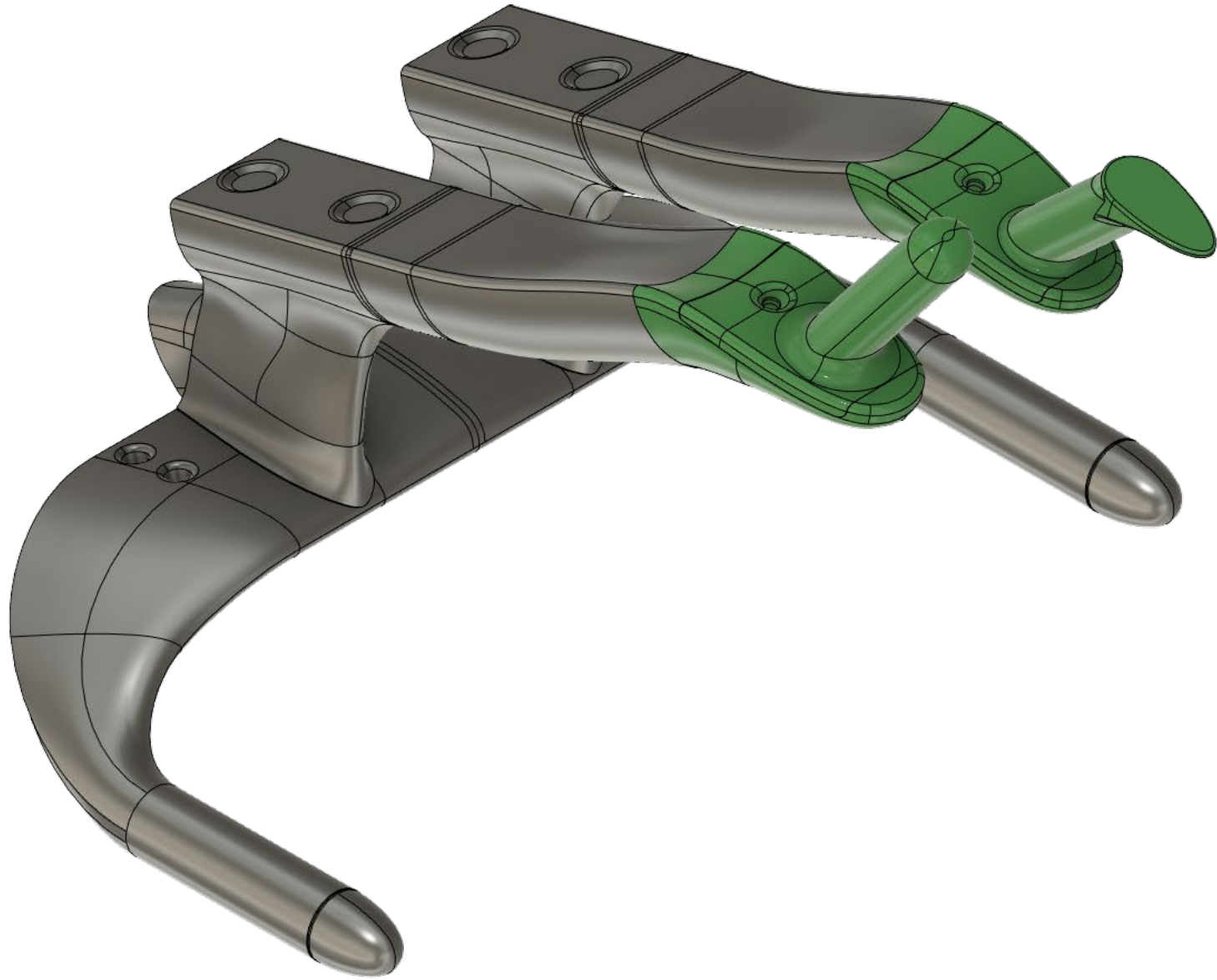
**LOTUS** 

Aquila pursuit handlebar and extension sizes

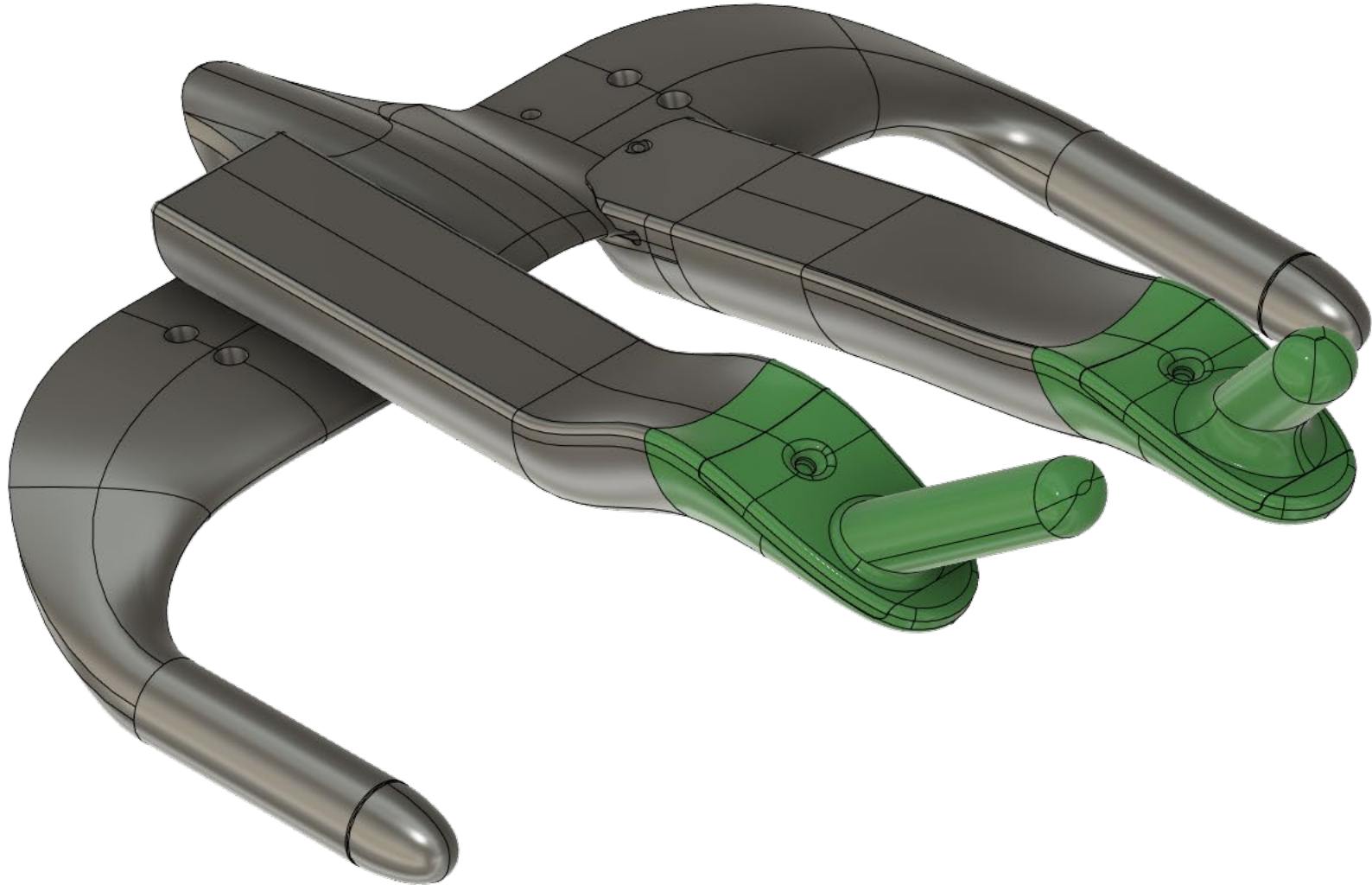
Customisable configuration



**Two sizes: High and low grip/extension positions.**

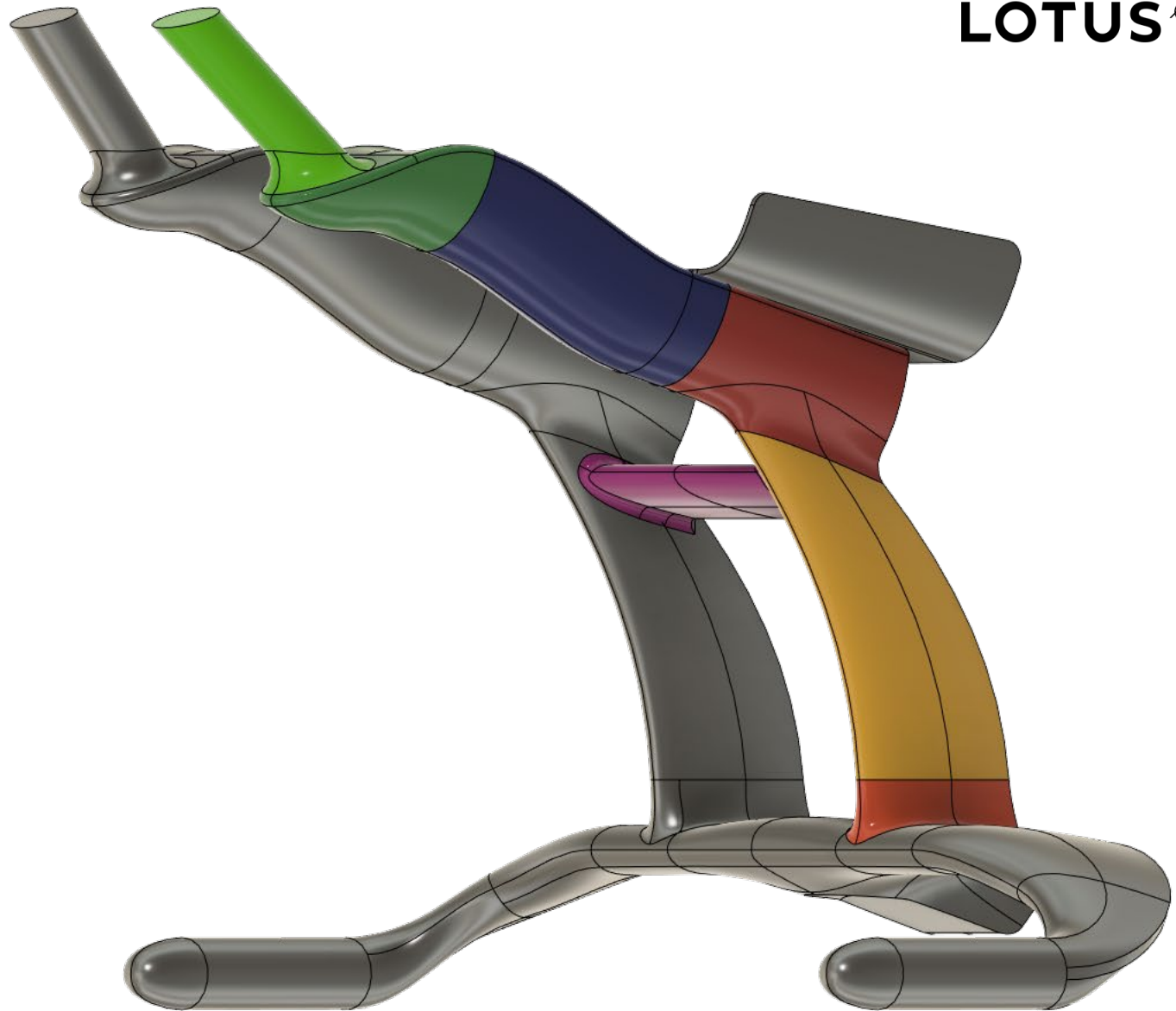


**All extensions can be supplied with and without hooks on the handles. Handles can be set at a custom angle.**



**Extensions can be mounted from underside or without risers for low positions.**

Element	Description
Extension handle	Hand grip for rider. This can be angled and shaped as appropriate with a minimum cross section for structure
Extension tip	This can be positioned in space as required by the rider with either a dome or hook end
Extension mid-section	Connects the extension tip and cup/extension joiner
Cup/extension joiner	This can be angled according to the cup angle required by the rider. The top surface is flat. The fore-aft of the cup can be finetuned
Riser	Tailored to specific cup/extension joiner locations
Base bar joiner	Blends the riser to base bar. Acts as a spacer to fine tune position.
Riser bridge	Connects the risers for stiffness if required. Should be angled to 15deg to horizontal. May not be required with risers below a minimum height.

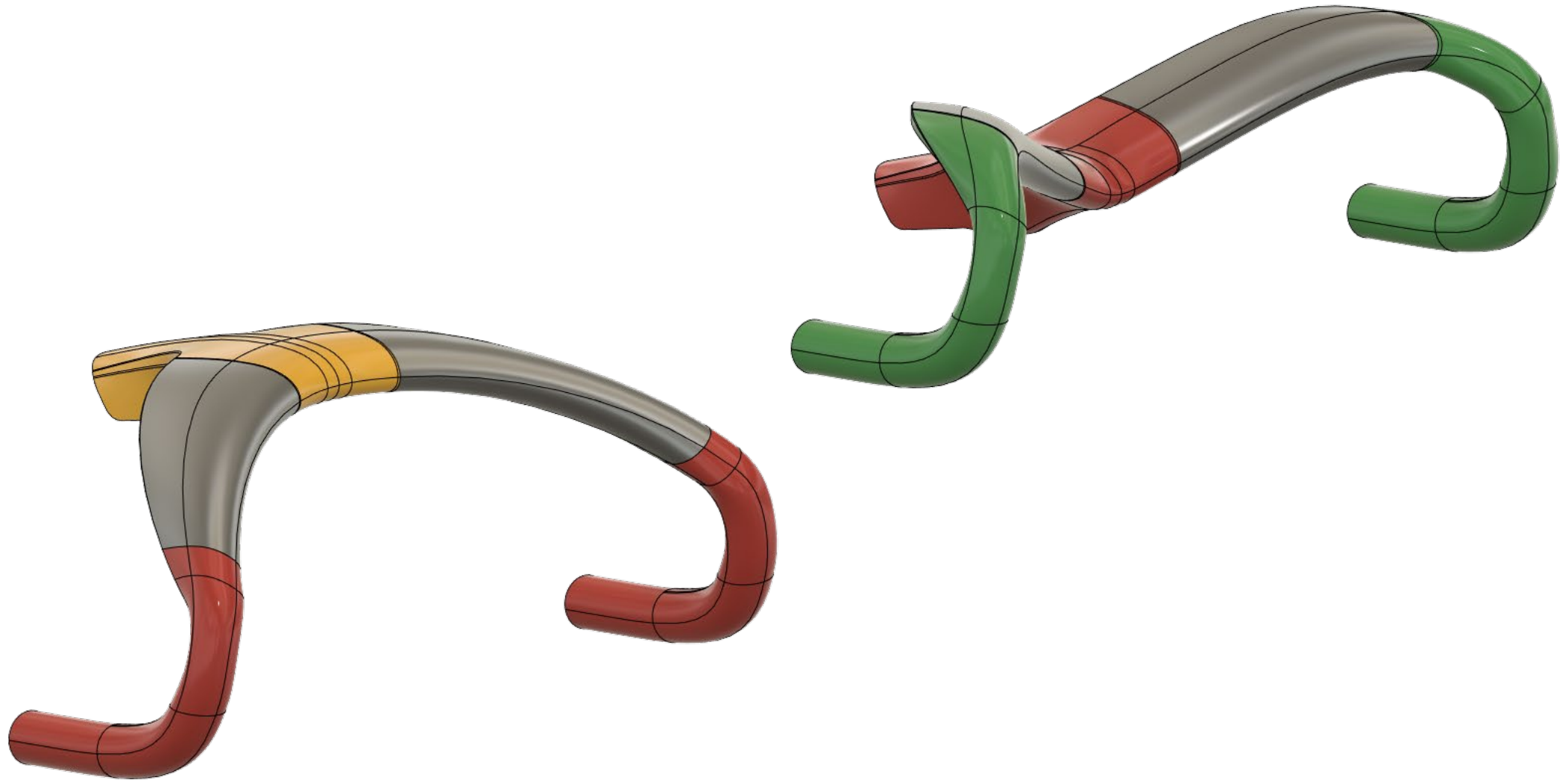


**Configurable dimensions for 3D printed bars.**

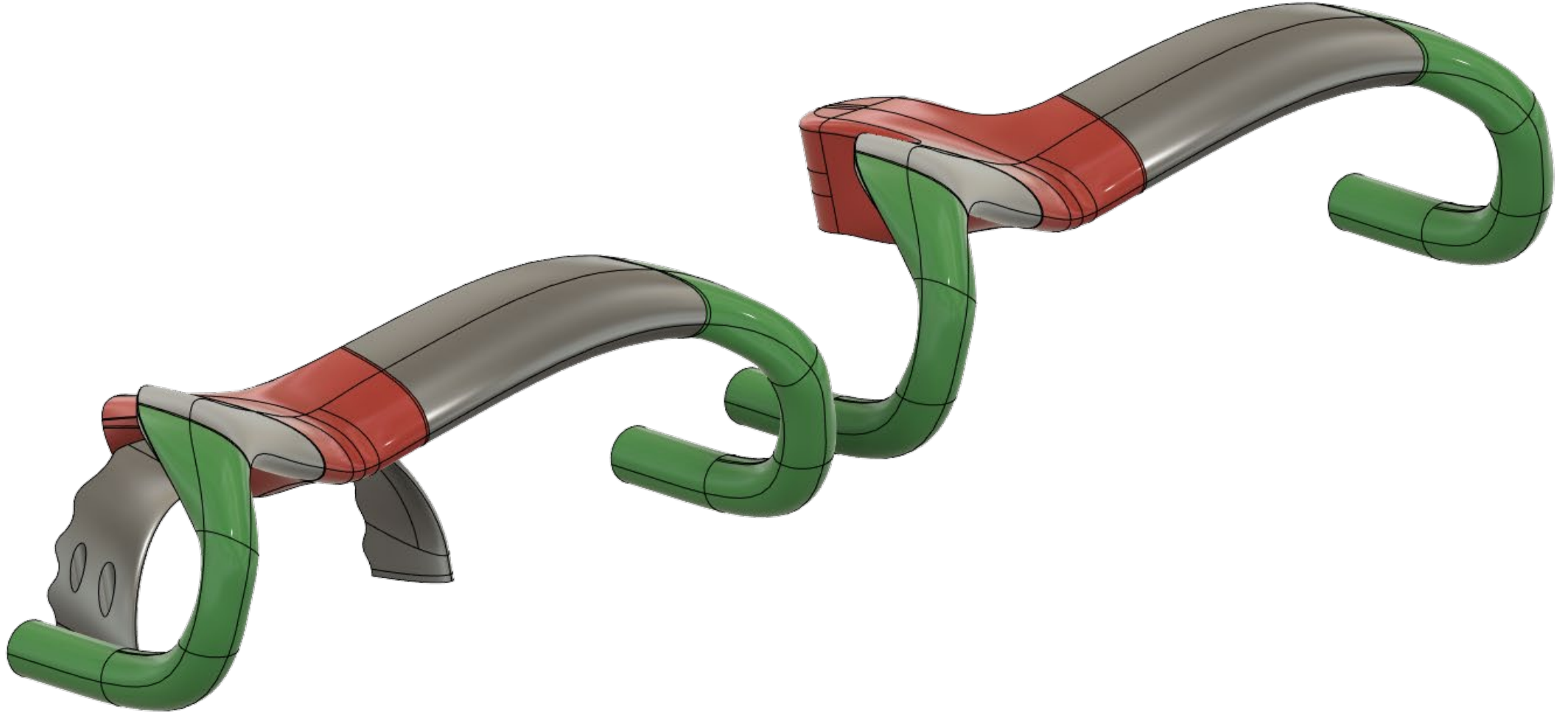
**LOTUS** 

Aquila sprint handlebar sizes

Customisable configuration

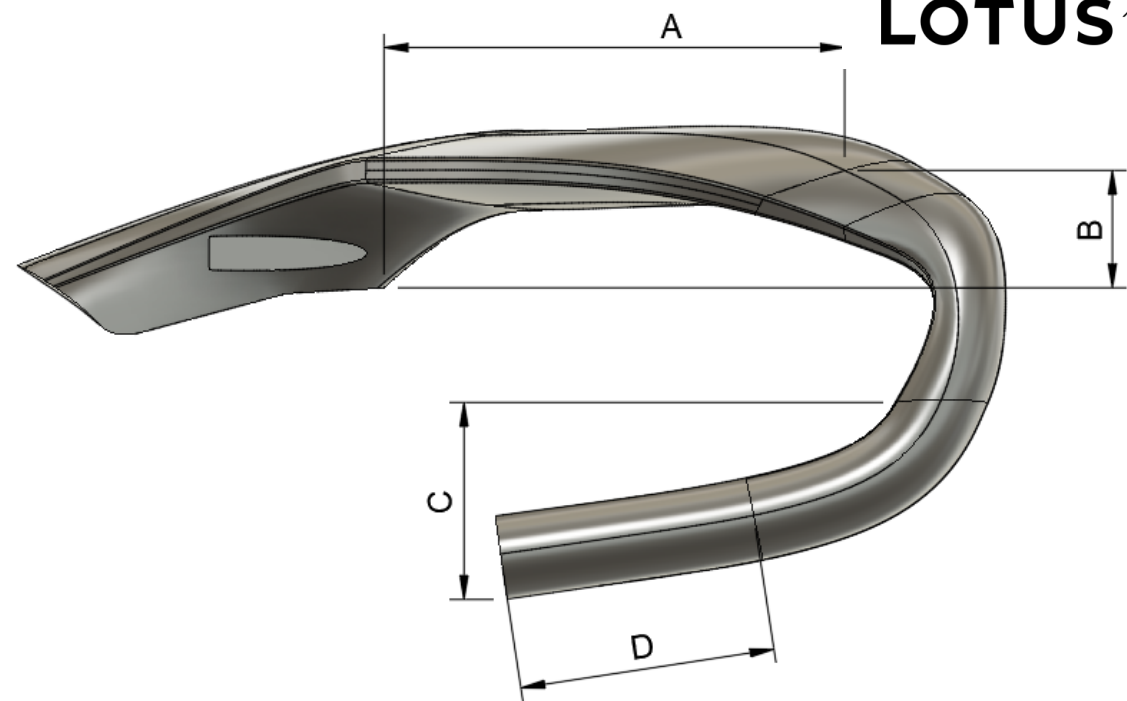
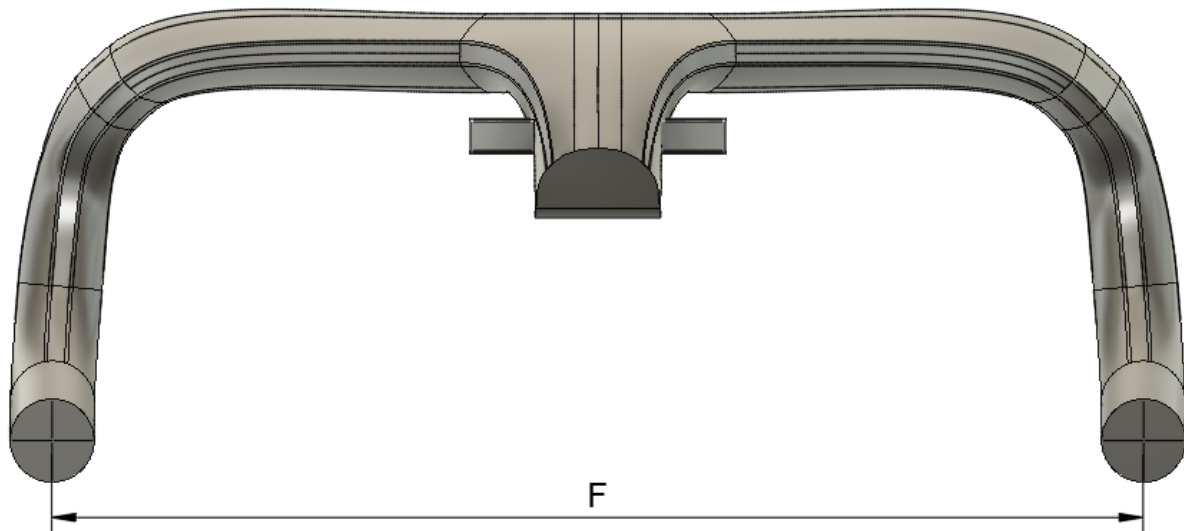


**In combination with two stem sizes and two grip sizes, custom cross members ( grey) allow customisable stack and reach.**



**Stem steerer clamps to be compatible with A1000m or A2000m forks.**





Dimension	Description
A	Bar reach
B	Bar stack
C	Drop depth
D	Grip section length (angle can be specified)
E	Bar width, centre to centre (280 mm – 320 mm)
-	Stem clamp – can be configured for Lotus A1000m or Lotus A2000m forks

**Configurable dimensions for 3D printed bars.**

**LOTUS** 

Aquila bunch stem sizes

Customisable configuration



**Bunch racing stem to fit Hope/Lotus frameset. Example of size with a low and high steerer clamp area. Customisable stack and reach. Compatible with standard 31.8mm diameter handlebars.**